

MODEL : TURBIDRON BOBIN SARGILI - 1400 PRODUCT CODE : 021718

FILTRATION AREA : 1,54 m<sup>2</sup>

FILTER DIAMETER : 1400 mm

VOLUME : 1600 L

FILTRATION MEDIA : 0,4 - 0,8 mm

OPERATION PRESSURE : 2,5 kg/cm<sup>2</sup>

TEST PRESSURE : 4 kg/cm<sup>2</sup>

FLOW RATE : 77 m<sup>3</sup>/h

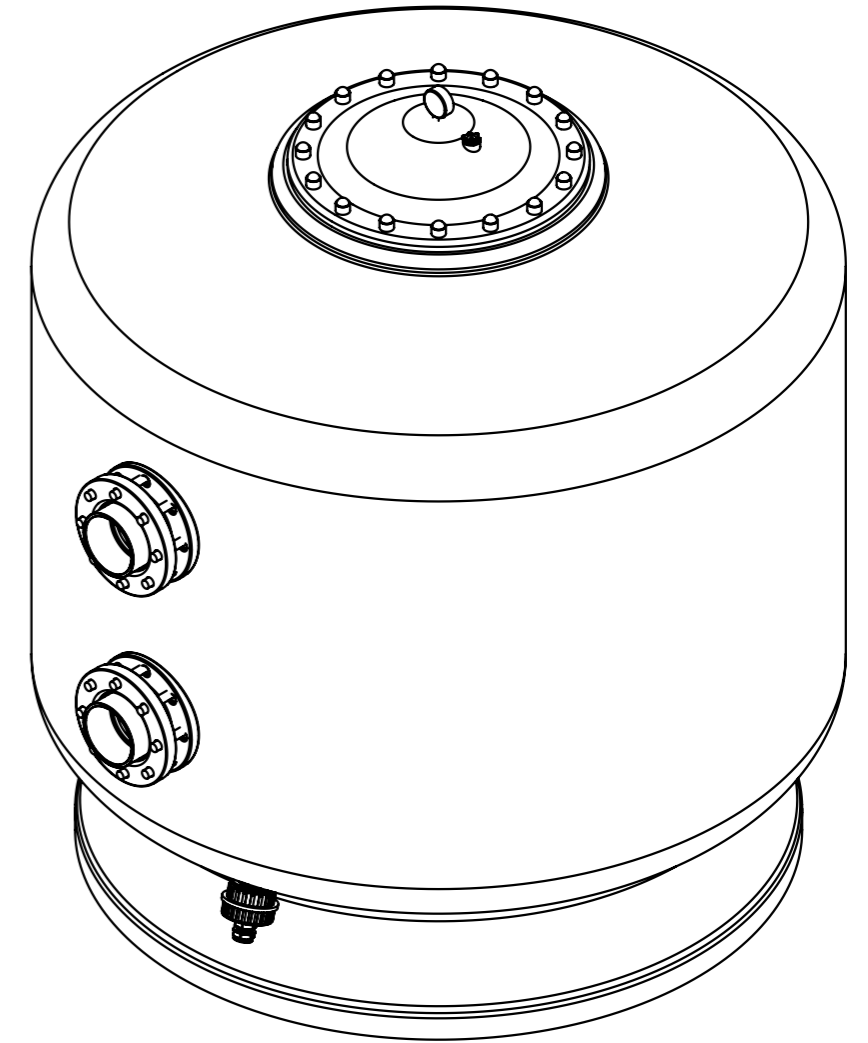
FILTRATION RATE : 50 m<sup>3</sup>/h/m<sup>2</sup>

PRODUCT YEAR : 2024

CUSTOMER NAME :

COLOR CODE :

SİPARİŞ NUMARASI :



Ölçüler "mm" cinsindedir.

RESİM ÜZERİNDEN ÖLÇÜ ALINMAZ.  
DO NOT TAKE THE MEASUREMENT ON THE DRAWING

Rev. No / Rev. No	Rev. Tarihi / Rev. Date	Revizyon Notu / Revision Note	Rev.Ad-Soyad / Rev.Name-Surname	İmza / Signature	Ağırlık (gr) / Weight (gr)
Revizyon / Revision	Tarihi / Date	Ad-Soyad / Name-Surname	İmza / Signature		
Çizen / Designed By	07.03.2024	MELTEM KILIÇ			
Kontrol / Checked By		ERCAN CENGİZ / İBRAHİM TOPRAK			Stok Kodu / Stock.No
Onay / Aproved By		İBRAHİM KAYA			
Ölçek / Scale	Parça Adı / Part Name		Form / Form	Malzeme / Material	
	Turbidron Bobin Sargılı Kum Filtre D.1400		A4		

