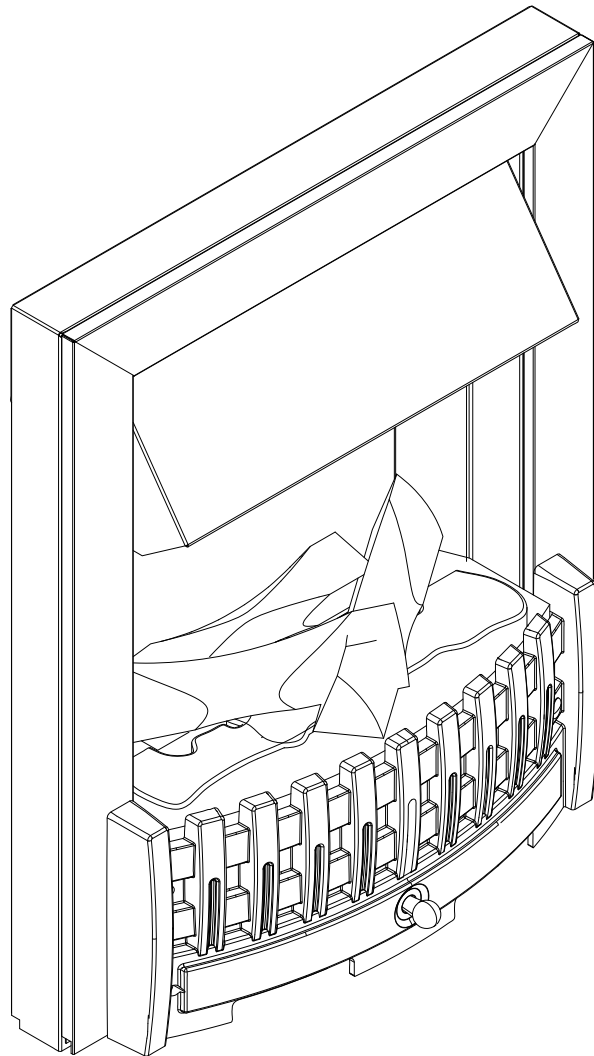


Dimplex



DANVILLE DNV20AB, DNV20BR, DNV20BL & DNV20CH

GB DE TR RU

08/51627/0 Issue 1

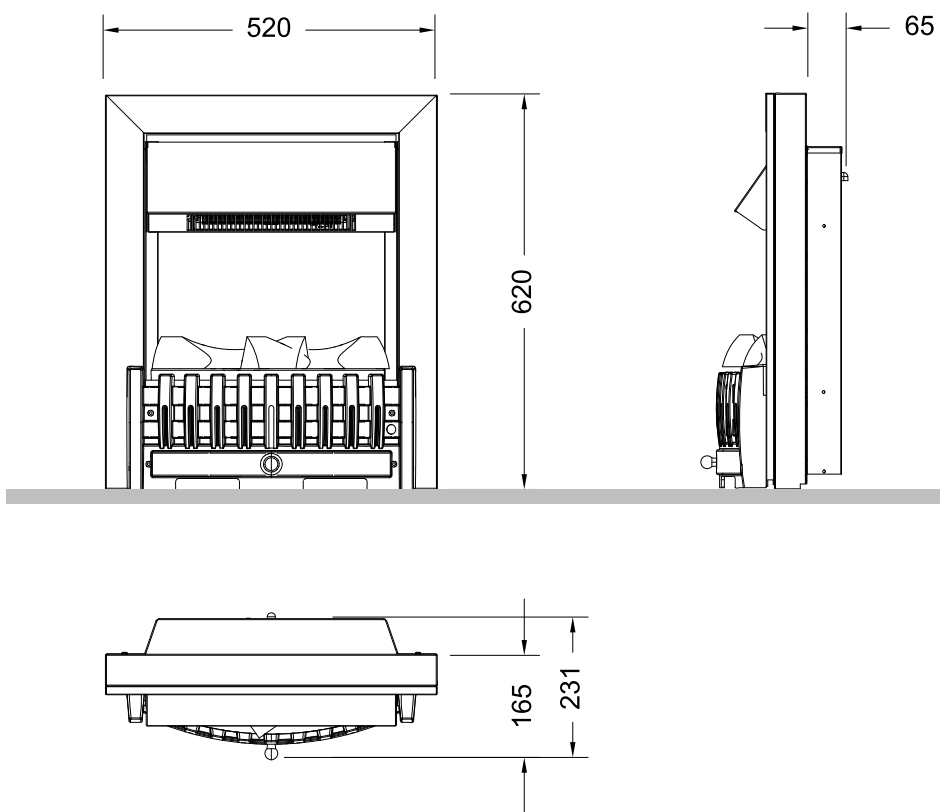


Fig.1

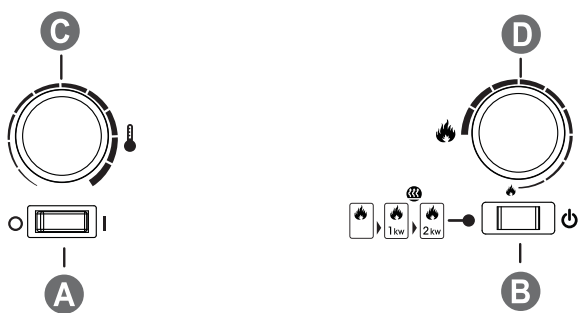


Fig.2

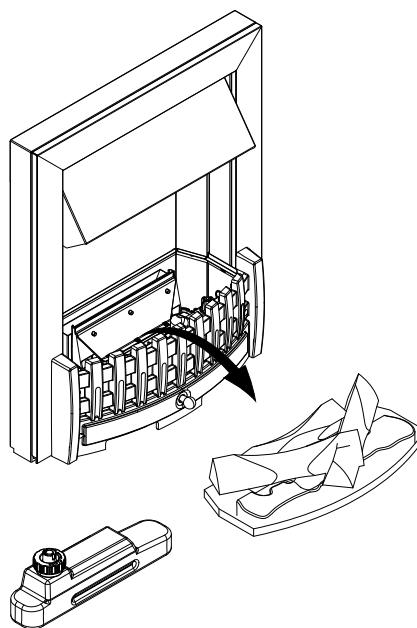


Fig.3

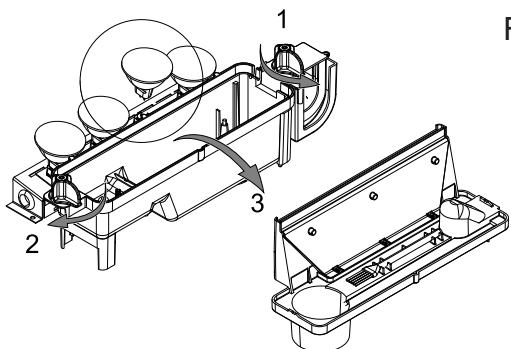
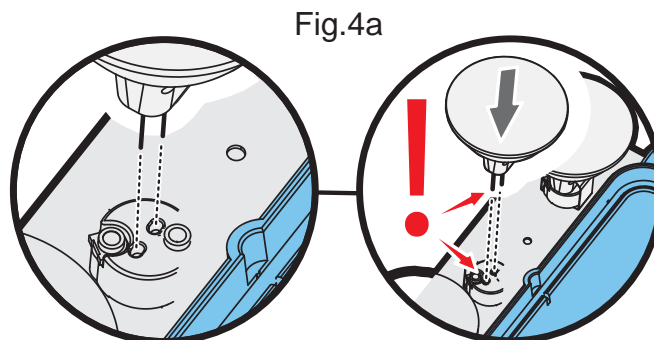


Fig.4



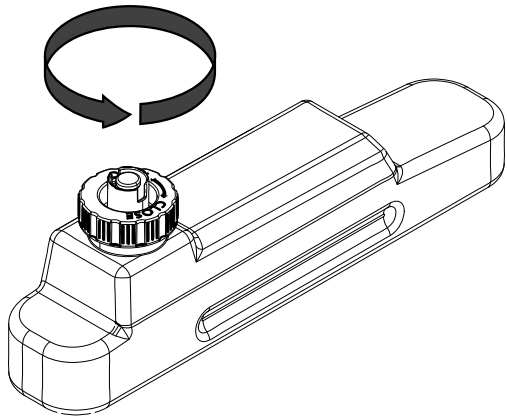


Fig.5

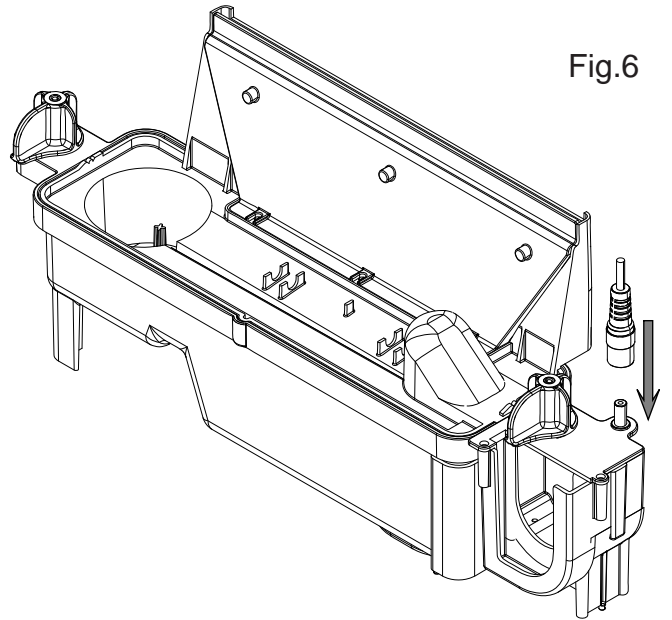


Fig.6

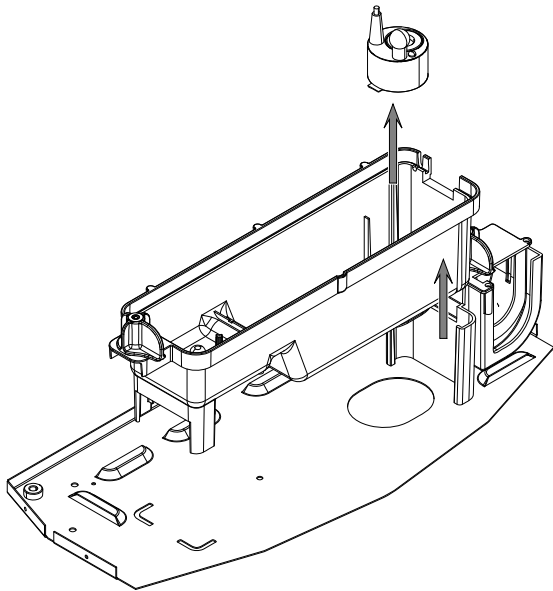


Fig.6a

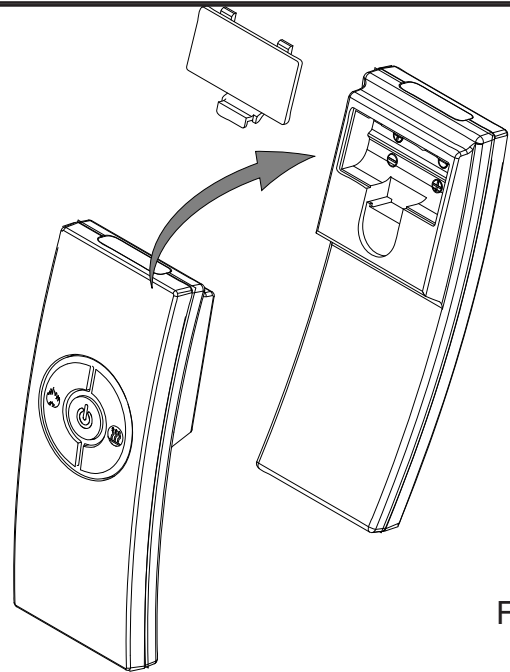


Fig.7



Fig.8

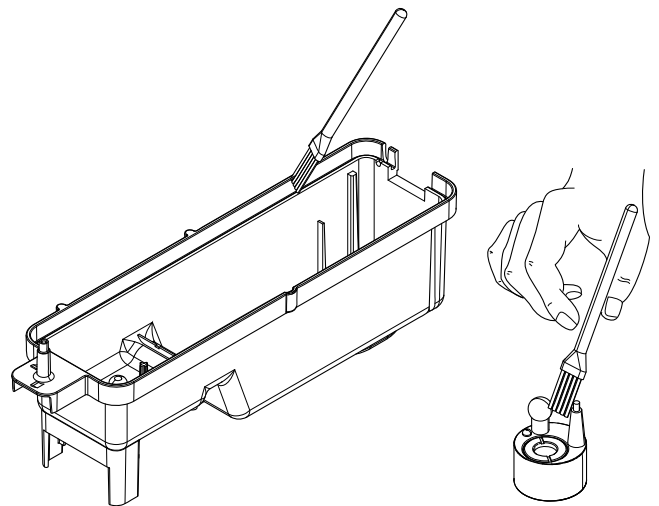


Fig.9

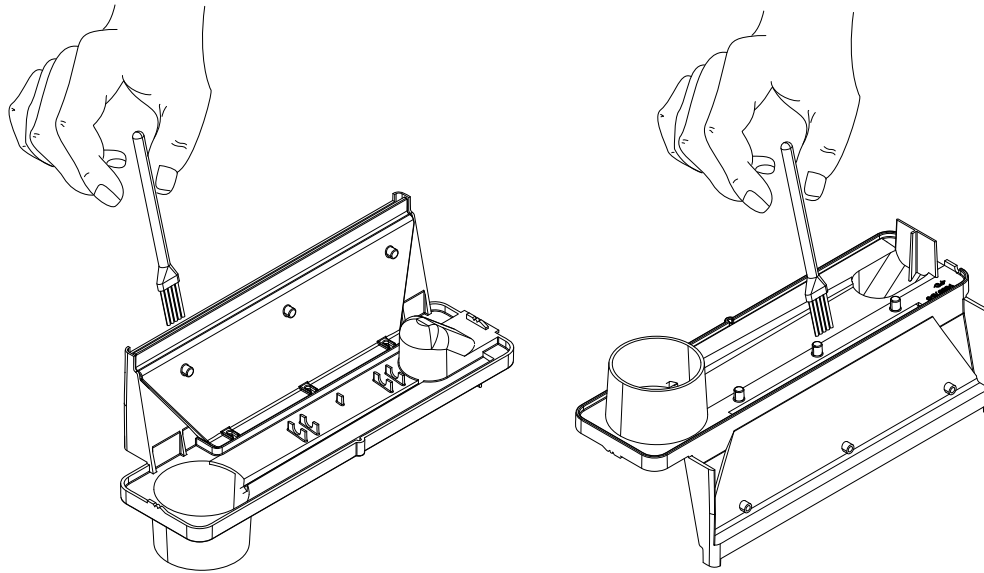


Fig.10

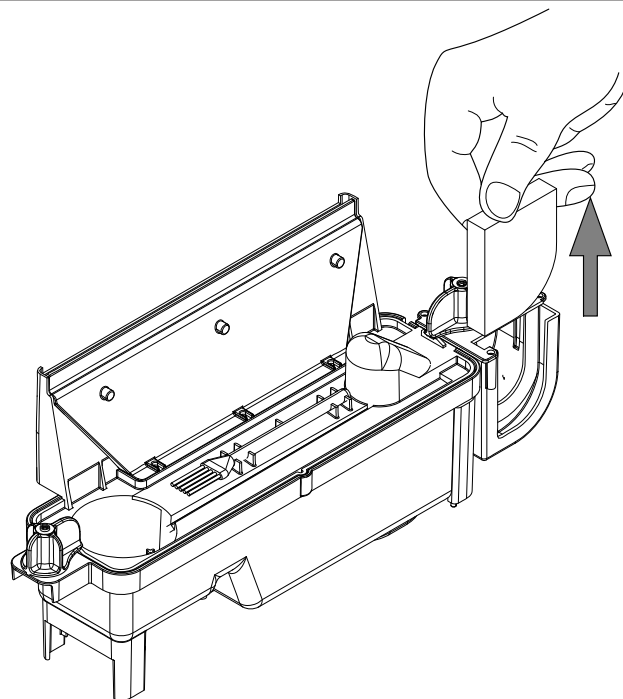


Fig.11

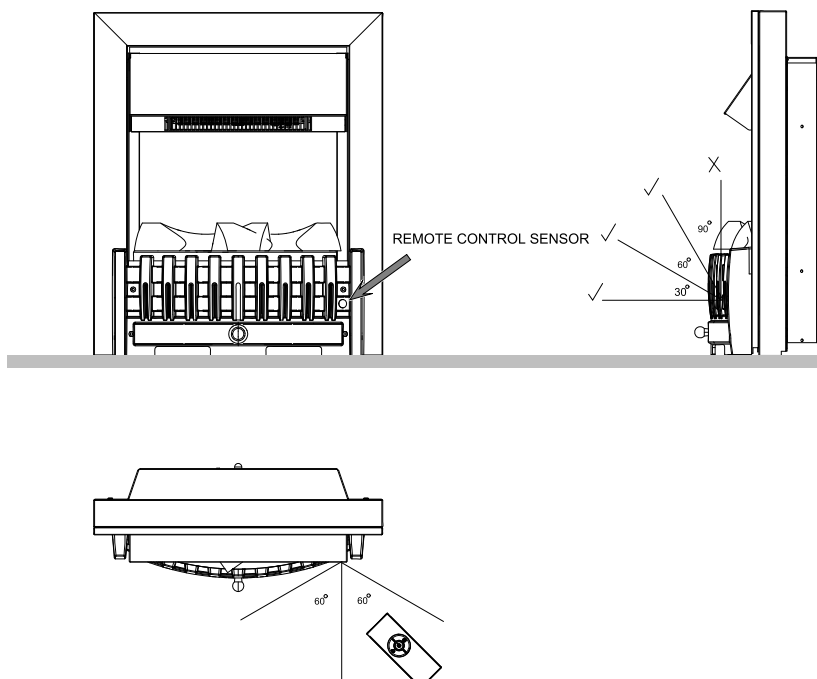


Fig.12

| | |
|----------|----|
| GB | 1 |
| DE..... | 6 |
| TR..... | 11 |
| RU..... | 16 |

Dimplex Opti-myst Inset Fires



Model: DNV20AB, DNV20BR, DNV20BL, DNV20CH

IMPORTANT: THESE INSTRUCTIONS SHOULD BE READ CAREFULLY AND RETAINED FOR FUTURE REFERENCE

Important Safety Advice:

When using electrical appliances, basic precautions should always be followed to reduce the risk of fire, electrical shock and injury to persons, including the following:

If the appliance is damaged, check with the supplier before installation and operation.

Do not use outdoors.

Do not use in the immediate surroundings of a bath, shower or swimming pool.

Do not locate the heater immediately below a fixed socket outlet or connection box.

This appliance is not intended for use by children or other persons without assistance or supervision if their physical, sensory or mental capabilities prevent them from using it safely. Children should be supervised to ensure that they do not play with the appliance.

Do not use this heater in series with a thermal control, a program controller, a timer or any other device that switches on the heat automatically, since a fire risk exists when the heater is accidentally covered or displaced.

Ensure that furniture, curtains or other combustible material are positioned no closer than 1 metre from the heater.

In the event of a fault unplug the heater.

Unplug the heater when not required for long periods.

Although this heater complies with safety standards, we do not recommend its use on deep pile carpets or on long hair type of rugs.

The appliance must be positioned so that the plug is accessible.

If the supply cord is damaged it must be replaced by the manufacturer or service agent or a similarly qualified person in order to avoid a hazard.

Keep the supply cord away from the front of the heater.

WARNING: In order to avoid overheating, do not cover the heater. Do not place material or garments on the heater, or obstruct the air circulation around the heater.

The heater carries a DO NOT COVER warning.

General.

Unpack the heater carefully and retain the packaging for possible future use, in the event of moving or returning the fire to your supplier.

The fire incorporates a flame effect, which can be used with or without heating, so that the comforting effect may be enjoyed at any time of the year. Using the flame effect on its own only requires little electricity.

The heater is designed for use inset into a 407mm (16") or 457mm (18") wide by 559mm (22") high fireplace opening or freestanding - see also section 'Installation Instructions'.

A 2kw fan heater is discreetly positioned in the canopy of the fire provides heating in cold weather. Switching allows half or full heat. A distance of 1 metre (39") must be maintained between the front of the heater and any surrounding furniture, overhanging curtains or other obstructions.

To reduce heat loss and to prevent any chimney up draft affecting the operation of your inset fire we recommend they the chimney flue is sealed off.

Before connecting the heater check that the supply voltage is the same as that stated on the heater.

Please note: Used in an environment where background noise is very low, it may be possible to hear a sound which is related to the operation of the flame effect. This is normal and should not be a cause for concern.

Electrical connection.

WARNING – THIS APPLIANCE MUST BE EARTHED.

This heater must be used on an AC ~ supply only and the voltage marked on the heater must correspond to the supply voltage. Before switching on, please read the safety warnings and operating instructions.

PLEASE RETAIN THIS USER'S GUIDE FOR FUTURE REFERENCE

Only use filtered tap water in this appliance.

Always ensure that the appliance is sitting on a level surface.

If you intend not using the appliance for longer than 2 weeks, drain the water from sump and water tank and dry the sump.

Once installed, never move this appliance or lay on its back, without draining the water from sump and water tank.

The water tank, sump, sump lid, tank cap and air filters must be cleaned once every two weeks, particularly in hard water areas.

The appliance should never be operated if the lamps are not working.

The lamps should be regularly inspected as described under 'Maintenance' and 'Changing lamps'.

Installation Instructions

Before installing this appliance in an existing chimney, we recommend that;

1. You have your chimney cleaned by a competent chimney sweep.
2. You block off the chimney flue.

This procedure is important for the efficient operation of the heating unit and will also reduce heat loss up the chimney.

Installation.

Ensure that all packing items are removed (read any warning labels carefully).

Retain all packing for possible future use e.g. in the event of moving or returning the appliance to your supplier.

To install the appliance;

1. Clean the area where the fire will be installed e.g remove ash residue from an existing fireplace.
2. Use the two adjustable supports at the rear of the appliance to ensure that the fire is level.
3. Make sure the unit is switched **OFF**.
4. Hold the fire by the sides of surround and gently manoeuvre into position. Plug the fire into a 13amp/240 volt outlet. Ensure that the supply cable is not trapped under the fire such that it might cause it to be damaged.


Before using the manual controls firstly fill the water tank (See 'Maintenance', 'Filling the water tank').


Manual Controls.


The Opti-myst manual controls are located beneath the hinged canopy. Raise the canopy to access the controls. (See Fig.2 for Manual Control lay out)


Switch 'A':- Controls the electricity supply to the Fire.

Note: This switch must be in the 'ON' (I) position for the Fire to operate either with or without heat.

Switch 'B':- Press  once to turn on the flame effect. This will be indicated by an audible beep. Although the main lights operate immediately it will take a further 30 seconds before the flame effect starts.

Press  again to give flame effect and half heat. This will be indicated by two beeps.

Press  again to give flame effect and full heat. This will be indicated by three beeps.

Press  again to return to flame effect only. This will be indicated by one beep.

Press  to put fire in to standby mode. This will be indicated by one beep.

Control Knob 'C':- Controls the Thermostat setting.

Turning the control knob Anti Clockwise will decrease the temperature setting, turning the control knob Clockwise will increase the temperature setting.

Control Knob 'D':- Controls the intensity of the flame effect.

Turning the control knob Anti Clockwise increases the flame effect, turning the control knob Clockwise will decrease the flame effect.

When the water in the tank and in the sump runs out the main lamps will go out. See instructions under 'Maintenance', 'Filling the water tank'. When this procedure is complete, the main lamps will illuminate but it will take 30 seconds before the flames return.

Setting the Thermostat

Plug in and switch on the fire to the full heat setting. Turn the Control Knob 'C' fully clockwise (max temperature setting) to warm the room rapidly. When the room temperature has reached the desired level, turn the thermostat knob back slowly until you hear the thermostat just click off. The heater will then maintain the room temperature at the chosen level.

Note: Should your heater fail to come on when the thermostat is at a low setting, this may be due to the room temperature being higher than the thermostat setting

Thermal safety cut-out

A thermal safety cut-out is incorporated in the fan heater to prevent damage due to overheating. This can happen if the heat outlet was restricted in any way or if the chimney flue has not been blocked off effectively. If the cut-out operates, unplug the heater from the socket outlet and allow approximately 10 minutes before reconnecting. Before switching the heater back on remove any obstruction that may be restricting the heat outlet, then continue normal operation.

Caution: In order to avoid a hazard due to inadvertent resetting of the thermal cutout, this appliance must not be supplied through an external switching device, such as a timer, or connected to a switch that is regularly switched on and off by the utility.

Tips for using your appliance.

1. With the flame setting on minimum the unit will use approximately 40ml of water per hour and will last 3 times as long than when it is at maximum flame setting.
2. Do not tilt or move the fire while there is water in the tank or sump.
3. Make sure that the fire is on a level floor.
4. The flame control knob 'D' Fig.2 may be turned up or down to give a more realistic effect.
5. Sometimes the flames appear more real when the flame control knob is turned down.
6. Give the flame generator some time to react to changes you may make on the flame control knob.

Maintenance

WARNING: ALWAYS DISCONNECT FROM THE POWER SUPPLY BEFORE BEGINNING ANY MAINTENANCE

Changing lamps.

If the smoke appears grey or colourless it may be that one or more lamps have failed.

You can check for lamp failure as follows.

1. Leaving the flame effect on, lift out the fuelbed and water tank. (See Fig.3)
2. It should be possible to view the lamps with the nozzle (See Fig.4) in place and observe which one needs to be changed.
3. Put Switch 'A' in the 'OFF' position, and unplug the fire from the mains.
4. Leave the appliance for 20 minutes to allow the lamps to cool down before removing them.
5. Remove the sump as described in the Cleaning Section.
6. Remove the defective lamp, by gently lifting vertically and disengaging the pins from the lamp holder, (See Fig.4 and 4a). Replace with a Dimplex Opti-myst, 12V, 50W, Gu5.3 base, 8° beam angle, coloured lamp. (Purchased from www.dimplex.co.uk under the section 'After Sales Service', details of how to purchase the lamps are contained therein.)
7. Carefully insert the two pins of the new lamp into the two holes in the lamp holder. Push firmly in place. (See Fig.4 and 4a).
8. Replace the sump, nozzle, water tank and fuelbed.
9. Switch on.

Filling the water tank.

When the water tank is empty, the flame and smoke effect shuts off and you will hear 2 audible beeps, follow these steps.

1. Press Switch 'A' to **(0)** (See Fig.2)
2. Gently lift out the fuelbed and set aside carefully. (See Fig.3)
3. Remove the water tank by lifting upwards and outwards.
4. Place the water tank in sink and remove cap, Anti-clockwise to open. (See Fig.5)
5. Fill tank with **filtered tap water only**. This is necessary to prolong the life of the flame and smoke producing unit. The water should be filtered through a conventional domestic water filter unit and the filter should be replaced regularly.
6. Screw the cap back on, **do not overtighten**.
7. Return the tank to the sump, with the tank cap facing down and the flat side of the tank facing outward.
8. Gently place the fuelbed back into position.
9. Press Switch 'A' to 'ON' (I) position (See Fig.2)

Cleaning.

WARNING – ALWAYS DISCONNECT FROM THE POWER SUPPLY BEFORE CLEANING THE HEATER.

We recommend cleaning the following components once every 2 weeks, particularly in hard water areas:-

Water Tank, Sump, Nozzle, Tank cap and seal, Air filter.

For general cleaning use a soft clean duster – never use abrasive cleaners. To remove any accumulation of dust or fluff the soft brush attachment of a vacuum cleaner should occasionally be used to clean the outlet grille of the fan heater.

Water tank

1. Remove water tank, as described earlier, put into sink and empty water.
2. Using the supplied brush gently rub the inside surfaces of the cap paying particular attention to the rubber ring in the outer groove and the centre rubber seal.
3. Put a small quantity of washing up liquid into the tank, refit the cap and shake well, rinse out until all traces of washing up liquid are gone.
4. Refill with filtered tap water only, replace the cap, do not overtighten.

Sump

1. Press Switch 'A' to the 'OFF' **(0)** position
2. Gently lift out the fuelbed and place carefully on the ground. (See Fig.3)
3. Remove the water tank by lifting upwards.
4. Disconnect the electrical connector, located on the right side of the sump. (See Fig.6) .
5. Release the right sump locking tabs by turning 90°, this allows the sump to be lifted completely from its location. (See Fig.6a)
6. Gently lift up the sump, taking care to keep level so as not to spill any water. Sit the assembly in the sink.
7. Release the left sump locking tabs by turning 90°, then lift off the Nozzle. (See Fig.4)
8. Lift out the transducer and carefully tilt, as shown, so that the liquid drains out of the sump. (See Fig.8)

9. Put a small amount of washing up liquid into the sump, and using the supplied brush, gently clean all surfaces in the sump and gently clean the transducer including the metal discs located in the top grooved surface. (See Fig.9)
10. When cleaned, thoroughly rinse the sump with clean water to remove all traces of washing up liquid.
11. Clean the outlet surface of the sump lid with the brush and flush out thoroughly with water. (See Fig.10)
12. Reverse the above steps to reassemble.

Air filter.

1. Press Switch 'A' to the 'OFF' (0) position (See Fig.2)
2. Gently lift out the fuelbed and place carefully on the ground. (See Fig.3)
3. Gently slide the air filter upwards out of its plastic holder. (See Fig.11)
4. Gently rinse with water in the sink and dry with fabric towel before returning.
5. Replace the filter making sure that the coarse black filter is facing the front of the fire.
6. Replace the fuelbed.
7. Press Switch 'A' to the 'ON' (I) position (See Fig.2)

Remote Control Operation

On the control panel, Switch A (see Fig.2) must be in the 'ON' (I) position in order for the remote control to operate. There are 3 buttons on the remote control. (See Fig.7) To operate correctly the remote must be pointed towards the front of the grate. (See Fig 12). The remote control functions are as follows:



Press once to turn on Flame effect only.
This will be indicated by one beep.



Press once to turn on Half Heat and Flame Effect.
This will be indicated by two beeps.
Press again to turn on Full Heat and Flame Effect.
This will be indicated by three beeps.



Standby
This will be indicated by one beep.

Recycling.



For electrical products sold within the European Community. At the end of the electrical products useful life it should not be disposed of with household waste. Please recycle where facilities exist. Check with your Local Authority or retailer for recycling advice in your country.

After Sales Service.

Your product is guaranteed for one year from the date of purchase. Within this period, we undertake to repair or exchange this product free of charge (excluding lamps & subject to availability) provided it has been installed and operated in accordance with these instructions. Your rights under this guarantee are additional to your statutory rights, which in turn are not affected by this guarantee.

Should you require after sales information or assistance with this product please go to www.dimplex.co.uk where you will find our self help guide by clicking on "After Sales" or ring our help desk on 0845 600 5111 (UK) or 01 842 4833 (R. O. I.). Spare parts are also available on the web site. Please retain your receipt as proof of purchase.

Patent / Patent Application

Products within the Optimyst range are protected by one or more of the following patents and patent applications:

Great Britain GB 2402206, GB 2460259, GB 2460453, GB 2418014, GB 2465738, GB 2449925, GB 2465537, GB 2455277, GB1020534.2, GB1020537.5, GB1110987.3

United States US 7967690, US 2010299980, US 2011062250, US 2008028648, US 13/167,042

Russia RU2008140317

European EP 2029941, EP 2201301, EP 2315976, EP 1787063, EP07723217.1, EP11170434.2, EP 11170435.9

China CN 101883953, CN 200980128666.2, CN 101057105, CN 101438104

Australia AU 2009248743, AU 2007224634

Canada CA 2725214, CA 2579444, CA 2645939

International Patent Application WO 2006027272

South Africa ZA 200808702

Mexico MX 2008011712

Korea KR 20080113235

Japan JP 2009529649

Brasil BR P10708894-9

India IN 4122/KOLNP/2008

New Zealand NZ 571900

| Troubleshooting | | |
|--|---|---|
| Symptom | Cause | Corrective Action |
| The flame effect will not start. | Mains plug is not plugged in. Low water level. Low voltage connector not connected properly. (See Fig.6) The Transducer Unit is not sitting correctly in the sump | Check plug is connected to wall socket correctly. Check that the water tank is full and there is water in the sump. Check that the connector is inserted correctly. (See Fig.6) Ensure the Transducer is sitting down into the moulded recess in the sump |
| The flame effect is too low. | Flame effect control knob is set too low. (See Fig.2) The Metal Disc in the transducer might be dirty (See Fig.12) The wire from the Transducer Unit is sitting over the metal disc | Increase level of flame by turning Control knob 'D' anti clockwise slowly. (See Fig.2) Clean the Metal Disc with soft brush supplied. (See Fig.12) See 'Maintenance' for a step by step procedure. Direct the wire to the back of the sump and make sure it sits into the side slot exiting the sump. |
| Unpleasant smell when unit is used. | Dirty or stale water. Using unfiltered tap water. | Clean the unit as described under maintenance. Use only filtered tap water. |
| The flame effect has too much smoke. | Flame effect setting is too high. | Turn the flame effect Control knob C clockwise, about ¼ a turn, at a time. Give the flame generator some time to adjust to the new setting. (See Fig.2) |
| Main lamps are not working and there are no flames or smoke. | There is no water in the water tank | Follow instructions under Maintenance , 'Filling the water tank'. Check the plug is connected to the wall socket correctly and that Switch 'A' Fig. 2 is in the 'ON' (I) position. |

Wichtige Sicherheitshinweise:

Beim Gebrauch von elektrischen Geräten sollten die grundlegenden Sicherheitsmaßnahmen immer befolgt werden, um das Risiko von Brandbildung, elektrischem Schock und Verletzungen zu minimieren. Das schließt Folgendes ein:

Wenn das Gerät beschädigt ist, wenden Sie sich vor einer Installation und Inbetriebnahme an den Händler. Das Gerät darf nicht im Freien verwendet werden.

Nicht in unmittelbarer Nähe von Bädern, Duschen oder Schwimmbädern verwenden.

Das Heizgerät darf nicht unmittelbar unter einer Wandsteckdose oder einer Anschlussdose angebracht werden. Dieses Gerät ist nicht für Kinder oder Personen ohne Hilfestellung oder Beaufsichtigung einer dritten Person geeignet, wenn die sichere Benutzung des Geräts aufgrund der körperlichen oder geistigen Verfassung oder wegen verminderter Wahrnehmung nicht möglich ist. Kinder sind zu beaufsichtigen, um sicherzustellen, dass sie nicht mit dem Gerät spielen.

Das Heizgerät nicht zu einer Wärmeregulierung, einer Programmsteuerung, einer Zeitschaltuhr oder einem anderen Gerät in Reihe schalten, mit dem die Wärmequelle automatisch geschaltet wird. Bei versehentlicher Blockierung oder Verstellung des Heizgeräts besteht Brandgefahr.

Möbel, Vorhänge und andere brennbare Stoffe dürfen sich nicht näher als 1 m vor dem Heizgerät befinden.

Bei einem Fehler den Netzstecker des Heizgeräts ziehen.

Netzstecker des Heizgeräts ziehen, wenn es längere Zeit nicht benötigt wird.

Zwar erfüllt das Heizgerät die Sicherheitsstandards, jedoch raten wir von einer Benutzung auf hochflorigen Fußbodenbelägen oder Teppichen ab.

Das Gerät muss so aufgestellt werden, dass der Netzstecker zugänglich ist.

Wenn das Netzkabel beschädigt ist, muss es vom Hersteller, einer Kundendienstvertretung oder einer vergleichbar qualifizierten Person ausgetauscht werden, um Gefahren zu vermeiden.

Das Stromversorgungskabel nicht in der Nähe der Vorderseite des Heizgeräts verlegen.

ACHTUNG: Um Überhitzungen zu vermeiden, darf das Heizgerät nicht zugedeckt werden. Keine Gegenstände oder Kleidungsstücke auf das Heizgerät legen und die Luftzirkulation um das Heizgerät herum nicht behindern.

Das Heizgerät verfügt über ein Warnschild mit dem Hinweis **NICHT BEDECKEN**.

Allgemeines:

Das Heizgerät vorsichtig auspacken und die Verpackung für spätere Zwecke aufbewahren, z. B. für einen Umzug oder für die Rücksendung an den Händler.

Dieser Kamineinsatz verfügt über einen Flammeneffekt, der mit oder ohne Heizfunktion verwendet werden kann, damit in jeder Jahreszeit eine gemütliche Stimmung erzeugt werden kann. Der Flammeneffekt verbraucht bei ausgeschalteter Heizfunktion nur wenig elektrische Energie. Das Heizgerät ist als Kamineinsatz für den Einbau in eine Kaminöffnung mit 407 oder 457 x 559 mm (Breite x Höhe) oder frei stehend vorgesehen. Beachten Sie dazu auch den Abschnitt „Installationsanweisungen“.

Ein diskret in die Esse des Kamineinsatz integriertes 2kw Heizgebläse sorgt bei kaltem Wetter für Wärme. Die Heizleistung des Gebläses kann auf halb oder voll eingestellt werden. Zwischen der Vorderseite des Heizgeräts und Möbeln, darüber hängenden Gardinen oder anderen Gegenständen muss ein Abstand von 1 Meter eingehalten werden.

Um Wärmeverluste und den negativen Einfluss eines eventuellen Kaminabzugs nach oben auf den Gerätebetrieb zu vermeiden, empfehlen wir eine Blockierung des Kaminabzugs.

Vor dem Anschluss des elektrischen Kamins immer prüfen, ob die Versorgungsspannung mit den Angaben auf dem Heizgerät übereinstimmt. Bitte beachten: Bei Verwendung in Umgebungen mit wenigen Hintergrundgeräuschen sind Betriebsgeräusche aufgrund des Flammeneffekts unter Umständen hörbar. Dies ist normal und kein Grund zur Beunruhigung.

Elektrischer Anschluss.

ACHTUNG – DIESES GERÄT MUSS GEERDET WERDEN.

Das Heizgerät darf nur an eine Wechselstromversorgung angeschlossen werden. Die auf dem Gerät angegebene Spannung muss mit der Versorgungsspannung übereinstimmen. Lesen Sie vor dem Einschalten die Sicherheitshinweise und die Bedienungsanleitung durch.

DIE VORLIEGENDE ANLEITUNG BITTE ZU NACHSCHLAGEZWECKEN AUFBEWAHREN

In diesem Gerät darf nur gefiltertes Leitungswasser verwendet werden.

Immer darauf achten, dass das Gerät auf ebenem Untergrund steht.

Falls das Gerät länger als 2 Wochen nicht benutzt wird, muss das Wasser aus dem Sumpf und Wassertank abgelassen und der Sumpf getrocknet werden.

Nach der Installation darf dieses Gerät nicht transportiert oder auf die Rückseite gelegt werden, ohne zuvor das Wasser aus dem Sumpf und Wassertank abzulassen.

Einmal alle zwei Wochen müssen Wassertank, Sumpf, Sumpfdeckel, Tankdeckel und die Luftfilter gereinigt werden,, insbesondere in Regionen mit hartem Wasser.

Das Gerät darf auf keinen Fall in Betrieb gesetzt werden, wenn die Lampen nicht funktionieren.

Die Lampen sind regelmäßig zu überprüfen, siehe „Wartung“ und „Lampenwechsel“.

Installationsanleitung

Vor der Installation dieses Geräts in einen bestehenden Kamin sind folgende Punkte empfehlenswert:

1. Lassen Sie Ihren Kaminabzug von einem qualifizierten Kaminkehrer reinigen.
2. Blockieren Sie den Rauchabzug.

Dies ist nicht nur für einen effizienten Betrieb des Heizgeräts wichtig, sondern dadurch werden auch Wärmeverluste über den Kaminabzug verhindert.

Installation

Das Verpackungsmaterial von sämtlichen Teilen entfernen (eventuelle Aufkleber mit Warnhinweisen beachten).

Das Verpackungsmaterial für spätere Zwecke aufbewahren, z. B. für einen Umzug oder für die Rücksendung an den Händler.

Installation des Geräts

1. Den Installationsbereich des Einsatzes reinigen, z.B. Ascherückstände beseitigen.
2. Die beiden verstellbaren Standfüße auf der Rückseite des Geräts verwenden, um das Heizgerät auszurichten.
3. Vergewissern Sie sich, dass das Gerät auf **OFF (Aus)** geschaltet ist.
4. Den Kamineinsatz seitlich an der Umrandung festhalten und vorsichtig in Einbaulage manövrieren. Den Kamineinsatz an eine Steckdose anschließen, die mit 13 A/240 V versorgt wird. Sicherstellen, dass das Netzkabel nicht unter dem Kamineinsatz verklemmt ist, da es sonst beschädigt werden kann.


Vor dem Betätigen der manuellen Bedienelemente muss zuerst der Wassertank befüllt werden (siehe „Wartung“ und „Wassertank auffüllen“).


Manuelle Bedienelemente

Hinter der aufklappbaren Esse sind die manuellen Bedienelemente des Opti-myst angeordnet. Klappen Sie die Esse nach oben, um die Bedienelemente betätigen zu können. (Anordnung der manuellen Bedienelemente, siehe Abb. 2)

Schalter „A“: Regelt die Energieversorgung zum Kamineinsatz.


Hinweis: Dieser Schalter muss auf „ON“ (I) stehen, um das Heizgerät mit oder ohne Heizfunktion zu betreiben.

Schalter „B“:  einmal drücken, um den Flammeneffekt einzuschalten. Dies wird durch Ausgabe eines Pieptons signalisiert. Zwar reagieren die Hauptleuchten sofort, allerdings dauert die Aktivierung des Flammeneffekts weitere 30 Sekunden.

 Erneut drücken, um Flammeneffekt und die halbe Heizleistung einzuschalten. Dies wird durch Ausgabe von zwei Pieptönen signalisiert.

 Erneut drücken, um Flammeneffekt und die volle Heizleistung einzuschalten. Dies wird durch Ausgabe von drei Pieptönen signalisiert.

 Erneut drücken, um wieder zum Flammeneffekt ohne Wärmeabgabe zurückzuschalten. Dies wird durch Ausgabe eines Pieptons signalisiert.

 Drücken, um den Kamineinsatz auf Standby zu schalten. Dies wird durch Ausgabe eines Pieptons signalisiert.

Drehregler „C“: Dient zum Einstellen des Thermostats.

Durch Drehen des Reglers nach links wird eine niedrigere Temperatur und nach rechts eine höhere Temperatur am Thermostat eingestellt.

Drehregler „D“: Stellt die Stärke des Flammeneffekts ein.

Durch Drehen des Reglers nach links wird der Flammeneffekt gesteigert und nach rechts wird er reduziert.

Wenn der Tank und der Sumpf leer sind, gehen die Hauptleuchten aus. Befolgen Sie die Anweisungen unter „Wartung“, „Wassertank auffüllen“. Im Anschluss daran leuchten die Hauptleuchten zwar wieder, jedoch dauert es weitere 30 Sekunden, bis die Flammen wieder lodern.

Thermostat einstellen

Netzstecker des Heizgeräts einstecken und auf volle Heizleistung einstellen. Drehregler „C“ ganz nach rechts drehen (maximale Temperatureinstellung), um den Raum rasch zu erwärmen. Wenn die gewünschte Raumtemperatur erreicht ist, drehen Sie den Thermostatkopf langsam gegen den Uhrzeigersinn, bis ein Klick zu hören ist. Das Heizgerät hält dann die Raumtemperatur auf dem eingestellten Wert.

Hinweis: Wenn sich das Heizgerät bei niedrig eingestelltem Thermostat nicht einschaltet, liegt dies möglicherweise daran, dass die Raumtemperatur höher als die Thermostateinstellung ist.

Sicherheitsabschaltung

Um einen Defekt durch Überhitzung zu vermeiden, ist das Heizgebläse des Geräts mit einer Sicherheitsabschaltung ausgestattet. Der Fall kann eintreten, wenn der Wärmeauslass auf bestimmte Weise eingeschränkt oder der Kaminabzug nicht nachhaltig blockiert wurde. Falls die Sicherheitsabschaltung einsetzt, ziehen Sie den Netzstecker des Heizgeräts aus der Steckdose, und warten Sie 10 Minuten, bevor Sie das Gerät wieder anschließen. Vor dem erneuten Einschalten des Heizgeräts sollten Blockaden beseitigt werden, durch die die Wärmeabgabe des Geräts verhindert wird. Anschließend kann der normale Betrieb wieder fortgesetzt werden.

Vorsicht: Zur Vermeidung von Gefahren durch versehentliches Rückstellen der Sicherheitsabschaltung bei Überhitzung darf dieses Gerät nicht über eine externe Schaltvorrichtung wie etwa eine Zeitschaltuhr mit Energie versorgt oder mit einem Schalter verbunden werden, der über die Vorrichtung regelmäßig ein- und ausgeschaltet wird.

Tipps für die Gerätenutzung

1. Bei kleinster Flammeneinstellung verbraucht das Gerät etwa 40 ml Wasser pro Stunde und lässt sich dadurch 3 mal länger als bei maximaler Flammenhöhe betreiben.
2. Wenn sich Wasser im Tank oder Sumpf befindet, darf der Kamineinsatz nicht gekippt oder versetzt werden.
3. Der Kamineinsatz muss auf einem ebenem Untergrund stehen.
4. Für einen realistischen Flammeneffekt kann der Flammenregler „D“ (Abb. 2) höher oder niedriger eingestellt werden.
5. Die Flammen erscheinen manchmal realistischer, wenn der Flammenregler kleiner eingestellt wird.
6. Warten Sie einen Moment, bis der Flammengenerator auf die veränderte Flammenreglereinstellung reagiert hat.

Wartung

ACHTUNG: VOR BEGINN VON WARTUNGSARBEITEN IMMER DEN NETZSTECKER ZIEHEN

Lampenwechsel

Wenn der Rauch grau oder farblos erscheint, sind unter Umständen eine oder mehrere Lampen defekt.

Die Lampen können Sie folgendermaßen auf Funktion prüfen:

1. Das Feuerbett und den Wassertank bei eingeschaltetem Flammeneffekt herausheben. (Siehe Abb. 3)
2. Es sollte möglich sein, die Lampen mit angebrachter Düse (siehe Abb. 4) zu betrachten, um festzustellen, welche Lampe ausgetauscht werden muss.
3. Stellen Sie Schalter „A“ auf Position „OFF“ (AUS) und ziehen Sie den Netzstecker des Kamineinsatzes aus der Steckdose.
4. Lassen Sie das Gerät 20 Minuten lang ausgeschaltet, damit sich die Lampen vor dem Ausbau abkühlen können.
5. Bauen Sie den Sumpf aus, wie im Abschnitt „Reinigung“ erläutert.
6. Ziehen Sie die defekte Lampe mit den Kontaktstiften vorsichtig nach oben aus dem Lampensockel heraus (siehe Abb. 4 und 4a). Bauen Sie als Ersatzlampe eine Dimplex Opti-myst Farblampe für 12 V, 50 W, Sockel Gu5.3 mit 8° Abstrahlwinkel ein. (Bestellung über www.dimplex.co.uk unter „Kundenservice“. Dort wird auch die Bestellung der Lampen erläutert.)
7. Führen Sie die beiden Kontaktstifte der neuen Lampe in die beiden Öffnungen des Lampensockels ein und schieben Sie sie bis zum Anschlag hinein. (Siehe Abb. 4 und 4a.)
8. Sumpf, Düse, Wassertank und Feuerbett wieder anbringen.
9. Schalten Sie das Gerät ein.

Wassertank auffüllen

Wenn der Wassertank leer ist, schaltet sich der Flammen- und Raucheffekt ab und es ertönen 2 akustische Warnsignale.

1. Schalter „A“ auf (0) stellen (Siehe Abb. 2)
2. Feuerbett vorsichtig herausheben und beiseite legen. (Siehe Abb. 3)
3. Den Wassertank nach oben aus dem Gerät herausheben.
4. Den Wassertank in ein Waschbecken legen und den Tankdeckel gegen den Uhrzeigersinn abschrauben. (Siehe Abb. 5)
5. Tank nur mit **gefiltertem Leitungswasser füllen**. Dadurch verlängert sich die Lebensdauer des Rauch- und Flammengenerators. Zum Filtern des Wassers sollte ein handelsüblicher Wasserfilter benutzt werden, der regelmäßig auszutauschen ist.
6. Den Deckel wieder festschrauben, **aber nicht überdrehen**.
7. Den Tank wieder in den Sumpf einsetzen. Der Tankdeckel muss dabei nach unten und die flache Tankseite nach außen zeigen.
8. Feuerbett vorsichtig wieder einsetzen.
9. Schalter „A“ auf „ON“ (1) stellen (Siehe Abb. 2)

Reinigung

ACHTUNG – VOR DEM REINIGEN DES HEIZGERÄTES IMMER DEN NETZSTECKER ZIEHEN.

Bei folgenden Teilen empfehlen wir eine regelmäßige Reinigung alle 2 Wochen, insbesondere in Regionen mit hartem Wasser:

Wassertank, Sumpf, Düse, Tankdeckel und -dichtung, Luftfilter.

Zum Reinigen allgemein immer ein weiches, sauberes Staubtuch benutzen, auf keinen Fall Scheuermittel verwenden. Um angesammelten Staub oder Flusen zu entfernen, kann gelegentlich ein Staubsauger mit weichem Bürstenaufsatz zum Reinigen des Auslassgitters des Lüftergebläses verwendet werden.

Wassertank

1. Den Tank - wie zuvor erläutert - ausbauen, in ein Waschbecken legen und das Wasser ablassen.
2. Mit der beigegefügt Bürste die Innenflächen des Deckels sanft abbürsten. Dabei besonders den Gummiring in der Außennut und die Gummidichtung in der Mitte sauber bürsten.
3. Eine sparsame Menge Spülmittel in den Tank füllen, den Deckel festschrauben und gut schütteln. Das Spülmittel komplett wieder ausspülen, bis davon keine Spuren im Abwasser mehr zu sehen sind.
4. Ausschließlich mit gefiltertem Leitungswasser auffüllen, den Deckel wieder anbringen und nicht überdrehen.

Sumpf

1. Schalter „A“ auf „OFF“ (0) stellen
2. Feuerbett vorsichtig herausheben und auf den Boden legen. (Siehe Abb. 3)
3. Den Wassertank nach oben herausheben.
4. Den Stecker aus der Anschlussbuchse auf der linken Seite des Sumpfs ziehen. (Siehe Abb. 6).
5. Die Sicherungskralen am rechten Sumpfs um 90° drehen. Der Sumpf kann nun komplett aus der Einbaulage herausgehoben werden. (Siehe Abb. 6a)
6. Den Sumpf vorsichtig und möglichst waagrecht herausheben, damit kein Wasser verschüttet wird. Das gesamte Bauteil in ein Waschbecken stellen.
7. Die beiden Sicherungskralen am linken Sumpf um 90° drehen und die Düse abnehmen. (Siehe Abb. 4)

8. Den Wandler herausheben und vorsichtig seitlich kippen, damit die Flüssigkeit aus dem Sumpf ablaufen kann. (Siehe Abb. 8)
9. Etwas Spülmittel in den Sumpf füllen und mit der beigegeführten Bürste sämtliche Flächen im Sumpf und den Wandler sanft reinigen, auch die Metallscheiben, die in der Nut auf der Oberseite verlegt ist. (Siehe Abb. 9)
10. Nach dem Reinigen den Sumpf mit klarem Wasser gründlich ausspülen, um alle Spülmittelrückstände zu beseitigen.
11. Die Auslassfläche am Sumpfdeckel mit der Bürste säubern und mit Wasser gründlich spülen. (Siehe Abb. 10)
12. Beim Zusammenbau die obigen Schritte in umgekehrter Reihenfolge befolgen.

Luftfilter

1. Schalter „A“ auf „OFF“ (0) stellen (Siehe Abb. 2)
2. Feuerbett vorsichtig herausheben und auf den Boden legen. (Siehe Abb. 3)
3. Den Luftfilter vorsichtig nach oben aus seiner Kunststoffhalterung herausziehen. (Siehe Abb. 11)
4. Vorsichtig mit Wasser im Waschbecken ausspülen und vor dem Einsetzen mit einem Handtuch abtrocknen.
5. Den Filter wieder einsetzen, dabei darauf achten, dass der grobe schwarze Filter in Richtung Vorderseite des Kamineinsatzes zeigt.
6. Das Feuerbett wieder einsetzen.
7. Schalter „A“ auf „ON“ (1) stellen (Siehe Abb. 2)

Betrieb über die Fernbedienung

Am Bedienfeld muss Schalter A (siehe Abb. 2) auf „ON“ (1) stehen, damit das Gerät über die Fernbedienung gesteuert werden kann. Auf der Fernbedienung befinden sich 3 Tasten. (siehe Abb. 7) Zum korrekten Betrieb muss die Fernbedienung nach vorne in Richtung Kaminrost gehalten werden. (Siehe Abb. 12). Die Fernbedienung besitzt folgende Funktionen:



Einmal drücken, um nur den Flammeneffekt einzuschalten.
Dies wird durch Ausgabe eines Pieptons signalisiert.



Einmal drücken, um die halbe Heizleistung und den Flammeneffekt einzuschalten.
Dies wird durch Ausgabe von zwei Pieptönen signalisiert.
Noch einmal drücken, um die volle Heizleistung und den Flammeneffekt einzuschalten.
Dies wird durch Ausgabe von drei Pieptönen signalisiert.



Standby
Dies wird durch Ausgabe eines Pieptons signalisiert.

Wiederverwertung



Für die Entsorgung dieses Heizgerätes gelten entsprechende Richtlinien für die Entsorgung von Elektroprodukten innerhalb der europäischen Gemeinschaft. Elektrogeräte dürfen am Ende ihrer Nutzungsdauer nicht im regulären Haushaltsmüll entsorgt werden. Sie müssen einer entsprechenden Recycling-Sammelstelle zugeführt werden. Entsprechende Hinweise zu Annahmestellen erhalten Sie bei der zuständigen lokalen Behörde oder Ihrem Fachhändler.

Kundenservice

Für dieses Produkt gilt eine Garantie von einem Jahr ab Kaufdatum. Innerhalb dieses Zeitraums verpflichten wir uns, Reparaturen oder einen Gerätetausch kostenlos durchzuführen (ausgenommen Lampen und abhängig von der Verfügbarkeit), sofern gewährleistet ist, dass die vorliegenden Anweisungen bei der Installation und Bedienung beachtet wurden. Ihre Rechte gemäß dieser Gewährleistung gelten zusätzlich zu Ihren gesetzlichen Rechten, die von dieser Gewährleistung unberührt bleiben.

Wenn Sie Kundendienstinformationen oder Hilfe zu diesem Produkt benötigen, besuchen Sie bitte die Website www.dimplex.co.uk. Unter dem Punkt „After Sales“ (Kundendienst) finden Sie unsere Lösungsvorschläge im Falle eines Problems. Sie können auch unsere Hotline unter 0845 600 5111 (GB) oder 01 842 4833 (Irland) anrufen. Ersatzteile finden Sie auch auf der Website. Bewahren Sie Ihre Quittung bitte als Kaufnachweis auf.

Patent / Patentanmeldung

Produkte im Optimyst-Sortiment sind durch eines bzw. mehrere der nachfolgend aufgeführten Patente urheberrechtlich geschützt:

Großbritannien GB 2402206, GB 2460259, GB 2460453, GB 2418014, GB 2465738, GB 2449925, GB 2465537, GB 2455277, GB1020534.2, GB1020537.5, GB1110987.3

USA US 7967690, US 2010299980, US 2011062250, US 2008028648, US 13/167,042

Russland RU2008140317

Europa EP 2029941, EP 2201301, EP 2315976, EP 1787063, EP07723217.1, EP11170434.2, EP 11170435.9

China CN 101883953, CN 200980128666.2, CN 101057105, CN 101438104

Australien AU 2009248743, AU 2007224634

Kanada CA 2725214, CA 2579444, CA 2645939

Internationale Patentanmeldung WO 2006027272

Südafrika ZA 200808702

Mexiko MX 2008011712

Korea KR 20080113235

Japan JP 2009529649

Brasilien BR P10708894-9

Indien IN 4122/KOLNP/2008

Neuseeland NZ 571900

| Fehlerdiagnose | | |
|--|---|---|
| Symptom | Ursache | Abhilfe |
| Der Flammeneffekt lässt sich nicht einschalten. | <p>Netzstecker ist nicht angeschlossen.</p> <p>Wenig Wasser.</p> <p>Der Niederspannungsstecker ist nicht richtig angeschlossen. (Siehe Abb. 6)</p> <p>Die Wandlereinheit sitzt nicht richtig im Sumpf</p> | <p>Prüfen Sie, ob der Netzstecker richtig an die Steckdose angeschlossen ist.</p> <p>Prüfen Sie, ob der Wassertank gefüllt ist, und ob sich Wasser im Sumpf befindet.</p> <p>Prüfen Sie, ob der Stecker korrekt angeschlossen ist. (Siehe Abb. 6)</p> <p>Sorgen Sie dafür, dass der Wandler richtig in der geformten Aussparung im Sumpf sitzt</p> |
| Der Flammeneffekt arbeitet zu niedrig. | <p>Der Drehregler für den Flammeneffekt ist zu niedrig eingestellt. (Siehe Abb. 2)</p> <p>Die Metallscheibe im Wandler ist evtl. verschmutzt (siehe Abb. 12)</p> <p>Die Leitung von der Wandlereinheit liegt über der Metallscheibe</p> | <p>Den Drehregler „D“ langsam nach links drehen, um die Flammen höher zu stellen. (Siehe Abb. 2)</p> <p>Die Metallscheibe mit der beigefügten weichen Bürste reinigen. (Siehe Abb. 12). Die schrittweise gegliederten Anweisungen finden Sie im Abschnitt „Wartung“.</p> <p>Die Leitung zur Rückseite des Sumpfs führen und darauf achten, dass sie im seitlichen Schlitz aus dem Sumpf austritt.</p> |
| Unangenehmer Geruch während des Betriebs. | <p>Verschmutztes oder abgestandenes Wasser.</p> <p>Es wird ungefiltertes Leitungswasser benutzt.</p> | <p>Das Gerät wie im Wartungsabschnitt erläutert reinigen.</p> <p>Nur gefiltertes Leitungswasser benutzen.</p> |
| Der Flammeneffekt stößt zu viel Rauch aus. | <p>Der Flammeneffekt ist zu stark eingestellt.</p> | <p>Den Drehregler „C“ für den Flammeneffekt langsam jeweils $\frac{1}{4}$ nach rechts drehen. Warten Sie etwas, bis der Flammengenerator auf die neue Einstellung reagieren kann. (Siehe Abb. 2)</p> |
| Die Hauptlampen leuchten nicht, und es sind weder Flammen noch Rauch zu sehen. | <p>Es ist kein Wasser im Tank</p> | <p>Befolgen Sie die Anweisungen unter „Wartung“ „Wassertank auffüllen“.</p> <p>Prüfen Sie, ob der Netzstecker richtig an die Steckdose angeschlossen ist und Schalter „A“ (Abb. 2) auf „ON“ (I) steht.</p> |

nemli Gvenlik Tavsiyesi:

Elektrikli cihaz kullanırken, yangın, elektrik arpması ve kiŐisel yaralanma riskini azaltmak iin aŐağıdakileri ieren temel uyarılara dikkat edilmelidir:

Cihaz hasar grmŐe, montaj ve kullanımdan nce tedarikiye kontrol ettirin.

Aık havada kullanmayın.

Banyo, duŐ veya yzme havuzunun ok yakınında kullanmayın.

Isıtıcıyı, sabit priz veya baėlantı kutusunun hemen altına yerleŐtirmeyin.

Bu cihaz ocukların veya fiziksel, algısal ya da zihinsel aıdan tek baŐlarına kullanmaları gvenli olmayan kiŐilerin yardım almadan kullanmaları iin uygun deėildir. ocukların cihazla oynamadıklarından emin olmak iin gzetim altında tutulmaları gerekir.

Isıtıcının yanlıŐlıkla zerinin kapatılması veya yerinden hareket ettirilmesi durumunda yangın riski bulunmasından tr bu ısıtıcıyı bir termal kontrol, program kontrolr, zamanlayıcı veya ısıtıcıyı otomatik olarak aan baŐka bir cihazla birlikte kullanmayın.

Mobilya, perde veya diėer yanabilecek malzemelerin ısıtıcıya 1 metreden daha yakın olmamasına dikkat edin.

Arıza durumunda, ısıtıcının fiŐini ekin.

Uzun sre kullanılması gerekmediėinde ısıtıcının fiŐini ekin.

Her ne kadar bu ısıtıcı gvenlik standartlarına uygun olsa da, uzun tyl halılar veya kilimler zerinde kullanılmasını tavsiye etmeyiz.

Cihaz, fiŐe eriŐilebilecek Őekilde yerleŐtirilmelidir.

Elektrik kablosu hasar grrse, tehlikeli bir durumdan kaınmak iin retici veya servis temsilcisi ya da benzer nitelikteki bir kiŐi tarafından deėiŐtirilmelidir.

Elektrik kablosunu ısıtıcının n kısmından uzak tutun.

UYARI: AŐırı ısınmayı nlemek iin, ısıtıcının zerini rtmeyin. Isıtıcı zerine giyecek veya malzeme yerleŐtirmeyin veya ısıtıcı evresindeki hava sirklasyonunu engellemeyin.

Isıtıcının zerinde bir **ZERİNİ RTMEYİN** uyarısı vardır.

Genel Bilgiler.

Isıtıcıyı dikkatle ambalajından ıkartın ve ambalajı taŐınma ya da ısıtıcıyı iade etme gibi gelecekteki olası kullanımlar iin saklayın. Őmine, ısıtma ile veya ısıtma yapmadan kullanılabilir bir alev efektine sahiptir, bu sayede rahatlatıcı etkisinin keyfi yıl boyunca srlebilir. Alev efektinin tek baŐına kullanılması ok az elektrik tkettir.

Isıtıcı 407 mm (16") veya 457 mm (18") geniŐlikte, 559 mm (22") ykseklkte Őmine yuvasında kullanım veya kendi ayakları zerinde kullanım iin tasarlanmıŐtır - ayrıca bkz 'Montaj Talimatları'.

Őmine kanopisine tedbirli biimde yerleŐtirilmiŐ olan 2 kW fan soėuk havalarda ısıtma saėlar. alıŐtırma yarım veya tam ısıtmaya izin verir. Isıtıcının n tarafı ile evredeki mobilyalar, asılı perdeler veya diėer nesnelere arasında 1 metre (39") mesafe korunmalıdır. Isı kaybını azaltmak ve Őminenin alıŐmasını etkileyen herhangi bir baca yukarı ekiŐini nlemek iin, Őmine bacasının yalıtılmasını tavsiye ederiz.

Isıtıcıyı prize takmadan nce besleme voltajının ısıtıcıda belirtilenle aynı olduėundan emin olun.

Ltfen dikkat: Arka plan grltsnn ok dŐk olduėu ortamlarda kullanıldıėında, alev efekti ile ilgili bir ses duyulması mmkndr. Bu normaldir ve kaygı uyandırmamalıdır.

Elektrik baėlantısı.

UYARI – BU CİHAZ TOPRAKLANMALIDIR.

Bu ısıtıcı sadece AC voltaj ile kullanılmalı ve ısıtıcı zerindeki voltaj Őebeke voltajı ile aynı olmalıdır. alıŐtırmadan nce, gvenlik uyarılarını ve alıŐtırma talimatlarını okuyun.

GELECEKTE KULLANMAK ZERE LTFEN BU KULLANICI KILAVUZUNU SAKLAYIN

Bu cihazda sadece filtrelenmiŐ musluk suyu kullanın.

Cihazın daima dz bir yzey zerinde durduėundan emin olun.

Cihazı 2 haftadan daha uzun sreyle kullanmayı dŐnmyorsanız, suyu hazneden ve su deposundan boŐaltın ve hazneyi kurutun.

Monte edildikten sonra, suyu hazneden ve su deposundan boŐaltmadan nce bu cihazı asla hareket ettirmeyin veya arkasına doėru yatırmayın.

Su deposu, hazne, hazne kapaėı, depo kapaėı ve hava filtreleri her iki haftada bir zellikle su sertliėinin ykse olduėu yerlerde temizlenmelidir.

Cihaz, lambalar alıŐır durumda deėilse asla kullanılmamalıdır.

Lambalar dzenli olarak 'Bakım' ve 'Lambaların deėiŐtirilmesi blmlerinde aıkladıėı Őekilde kontrol edilmelidir'.

Montaj Talimatları

Mevcut bacaya bu cihazı monte etmeden önce, şunları yapmanızı öneririz;

1. Bacanızı yetkili bir baca temizleyicisine temizlettirin.

2. Baca deliğini tıkayın.

Bu işlem, ısıtma ünitesinin verimli çalışması için önemlidir ve ayrıca bacaya doğru olabilecek ısı kaybını da azaltır.

Montaj.

Tüm ambalaj malzemelerinin çıkartıldığından emin olun (her türlü uyarı etiketini dikkatlice okuyun).

Cihazı taşımanız veya tedarikçinize iade etmeniz durumuna karşı tüm ambalajı ileride kullanmak üzere saklayın.

Cihazı monte etmek için;

1. Şöminenin monte edileceği bölgeyi temizleyin (önceki şömineden kalan kül kalıntılarını giderin).

2. Şöminenin düz olmasını sağlamak için cihazın arkasındaki iki ayarlanabilir desteği kullanın.

3. Ünitenin KAPALI olduğundan emin **olun**.

4. Dekorun yan taraflarından şömineyi kavrayın ve yavaşça yerine doğru yerleştirin. Şömineyi 13 amper/240 volt prize takın.

Elektrik kablosunun, zarar görecektir şekilde şöminenin altında sıkışmamasına dikkat edin.


Manuel kumandaları kullanmadan önce su deposunu doldurun (Bkz. 'Bakım', 'Su deposunun doldurulması').


Manuel Kumandalar.


Opti-myst manuel kumandaları menteşeli kanopi altındadır. Kumandalara erişmek için kanopiyi kaldırın. (Manuel Kumanda yerleşimi için bkz. Şekil 2)


Anahtar 'A':- Şömineye gelen elektrik beslemesini kontrol eder.


Not: Bu anahtarın, Şöminenin ısı vererek veya ısı vermeden çalışması için 'ON' (Açık) (I) konumunda bulunması gerekir.

Anahtar 'B':- Alev etkisini açmak için  tuşuna bir defa basın. Bu duyulabilir bir bip sesi ile bildirilir. Ana ışıklar hemen yansa da, alev etkisinin başlaması ilave bir 30 saniye daha alır.

Alev etkisini ve yarım ısıyı vermek için  tuşuna tekrar basın. Bu durum iki bip sesi ile bildirilir.

Alev etkisini ve tam ısıyı vermek için  tuşuna tekrar basın. Bu durum üç bip sesi ile bildirilir.

Sadece alev etkisine geri dönmek için  tuşuna tekrar basın. Bu durum bir bip sesi ile bildirilir.

Şömineyi bekleme moduna almak için  tuşuna basın. Bu durum bir bip sesi ile bildirilir.

Kumanda Düğmesi 'C':- Termostat ayarını kontrol eder.

Kumanda düğmesinin Saatin Ters Yönünde çevrilmesi sıcaklık ayarını düşürür, kumanda düğmesinin Saat Yönünde çevrilmesi sıcaklık ayarını yükseltir.

Kumanda Düğmesi 'D':- Alev etkisinin yoğunluğunu kontrol eder.

Kumanda düğmesinin Saatin Ters Yönünde çevrilmesi alev etkisini artırır, kumanda düğmesinin Saat Yönünde çevrilmesi alev etkisini azaltır.

Depo ve haznedeki su bittiğinde ana lambalar sönecektir. Şu bölümlerdeki talimatlara bakın: '[Bakım](#)', '[Su deposunun doldurulması](#)'. Bu işlem tamamlandığında, ana lambalar yanar ancak alevlerin geri dönüşünden önce 30 saniye geçmesi gerekir.

Termostatın Ayarlanması

Prize takın ve şömineyi tam ısı ayarına getirin. Odayı hızlı şekilde ısıtmak için Kumanda Düğmesini 'C' saat yönünde tam olarak (maks. sıcaklık ayarı) çevirin. Oda sıcaklığı istenen seviyeye geldiğinde, termostat kapanana kadar termostat düğmesini yavaşça geri çevirin. Isıtıcı bu durumda oda sıcaklığını istenen seviyede tutar.

Not: Termostat düşük ayardayken çalışmıyorsa, bunun sebebi oda sıcaklığının termostat ayarından yüksek olması olabilir.

Termal devre kesici

Aşırı ısınmadan dolayı hasar oluşmasını önlemek için fanlı ısıtıcıda bir termal devre kesici bulunmaktadır. Isı çıkışı herhangi bir şekilde sınırlandırmışsa veya baca deliği etkin şekilde kapatılmamışsa bu görülebilir. Devre kesici devre girerse, ısıtıcı fişini prizden çıkartın ve tekrar takmadan önce yaklaşık 10 dakika bekleyin. Isıtıcıyı tekrar açmadan önce ısı çıkışını sınırlayan her türlü engeli kaldırın ve ardından normal kullanıma devam edin.

Dikkat: Termal kesicinin istenmeyen şekilde devreden çıkmasından kaynaklanabilecek tehlikeleri önlemek için, bu cihazın zamanlayıcı gibi harici anahtarlama aygıtlarıyla kullanılmaması ya da düzenli olarak açılıp kapanan bir şaltere bağlanmaması gereklidir.

Cihazınızın kullanımına yönelik ipuçları.

1. Alev ayarı minimumda iken ünite saat başına yaklaşık 40 ml su kullanır ve maksimum alev ayarına göre 3 kat daha uzun süreyle gider.
2. Depoda veya haznede su varken şömineyi yatırmayın veya hareket ettirmeyin.
3. Şöminenin düz bir yüzey üzerinde bulunduğundan emin olun.
4. Daha gerçekçi bir etki vermek için alev kumanda düğmesi 'D' Şekil 2 çevrilerek artırılabilir veya azaltılabilir.
5. Bazen alev kumanda düğmesi çevrilerek azaltıldığında alevler daha gerçekçi gözükür.
6. Alev kumanda düğmesinde yaptığınız değişikliklere alev üreticinin tepki vermesi için biraz bekleyin.

Bakım

UYARI: HERHANGİ BİR BAKIMA BAŞLAMADAN ÖNCE DAİMA ELEKTRİK BAĞLANTISINI KESİN

Lambaların değiştirilmesi.

Duman gri veya renksiz gözükürse bir veya daha fazla lamba arızalı olabilir.

Lamba arızasını şu şekilde kontrol edebilirsiniz.

1. Alev etkisini açık bırakarak, yakıt tabakasını ve su deposunu kaldırarak çıkartın. (Bkz. Şekil 3)
2. Nozül (bkz. Şekil 4) yerindeyken lambaları görmek mümkün olduğundan hangisinin değiştirilmesi gerektiğine bakın.
3. 'A' Anahtarını 'OFF' (Kapalı) konumuna alın ve şömine fişini prizden çekin.
4. Sökmeden önce lambaların soğuması için cihazı 20 dakika bekletin.
5. Temizlik Bölümünde açıklandığı gibi hazneyi çıkartın.
6. Yavaşça dikey olarak kaldırarak ve pimleri lamba tutucudan ayırarak arızalı lambayı sökün, (bkz. Şekil 4 ve 4a). Bir adet Dimplex Opti-myst, 12 V, 50 W, Gu5.3 duylu, 8° hüzme açılı, renkli lamba ile değiştirin. (www.dimplex.co.uk adresinde 'Satış Sonrası Hizmet' bölümünden satın alınmış olup lambaların nasıl satın alınacağına ilişkin ayrıntılar orada bulunmaktadır.)
7. Yeni lambanın iki pimini lamba tutucudaki iki deliğe dikkatlice yerleştirin. Yerine sıkıca bastırın. (Bkz. Şekil 4 ve 4a).
8. Hazneyi, nozülü, su deposunu ve yakıt tabakasını yerine takın.
9. Cihazı açın.

Su deposunun doldurulması.

Su deposu boş olduğunda, alev ve duman etkisi kapanır ve 2 adet bip sesi duyarsınız, aşağıdaki adımları takip edin.

1. 'A' Anahtarını bastırarak (0) konumuna alın (Bkz. Şekil 2)
2. Yakıt tabakasını yavaşça kaldırın ve dikkatlice yan tarafa alın. (Bkz. Şekil 3)
3. Yukarı ve dışa doğru kaldırarak su deposunu sökün.
4. Su deposunu lavaboya koyun ve kapağı saatin ters yönünde çevirerek sökün. (Bkz. Şekil 5)
5. Depoyu sadece **musluk suyu ile doldurun**. Alev ve duman üretme ünitesinin ömrünü uzatmak için bu gereklidir. Su klasik bir ev suyu filtre ünitesinden geçirilerek filtrelenmelidir ve filtre düzenli olarak değiştirilmelidir.
6. Kapağı yerine geri takın, **aşırı sıkmayın**.
7. Depo kapağı aşağı ve deponun düz tarafı dışa bakar şekilde depoyu hazneye geri takın.
8. Yakıt tabakasını tekrar yerine yavaşça yerleştirin.
9. 'A' Anahtarını bastırarak 'ON' (Açık) (1) konumuna alın (Bkz. Şekil 2)

Temizlik.

UYARI – ISITICIYI TEMİZLEMEDEN ÖNCE DAİMA GÜÇ BESLEMESİNİ KESİN.

Özellikle su sertliğinin yüksek olduğu bölgelerde her 2 haftada bir aşağıdaki parçaların temizlenmesini öneririz:-

Su Deposu, Hazne, Nozül, Depo kapağı ve keçesi, Hava filtresi.

Genel temizlik için yumuşak bir toz alıcı kullanın – asla aşındırıcı temizleyici kullanmayın. Toz veya tüy birikmesini temizlemek için, elektrikli süpürge için yumuşak fırça parçası kullanılarak fanlı ısıtıcının çıkış ızgarası temizlenmelidir.

Su deposu

1. Önceden anlatıldığı gibi su deposunu sökün, lavaboya koyun ve suyu boşaltın.
2. Dış oluktaki lastik halkaya ve ortadaki lastik halkaya özellikle dikkat ederek verilen fırçayı kullanmak suretiyle kapağın iç yüzeylerini yavaşça ovun.
3. Depoya az bir miktarda sıvı bulaşık deterjanı koyun, kapağı takın ve iyice sallayın, sıvı bulaşık deterjanının tüm kalıntıları giderilene kadar durulayın.
4. Sadece filtrelenmiş musluk suyu ile doldurun, kapağı takın, aşırı sıkmayın.

Hazne

1. 'A' Anahtarını bastırarak 'OFF' (Kapalı) (0) konumuna alın
2. Yakıt tabakasını yavaşça kaldırın ve dikkatlice zemin üzerine koyun. (Bkz. Şekil 3)
3. Yukarı doğru kaldırarak su deposunu sökün.
4. Haznenin sağ tarafında yer alan elektrik konnektörünü sökün. (Bkz. Şekil 6) .
5. Sağ hazne kilitleme tırnaklarını 90° çevirerek açın, bu işlem haznenin yerinden tamamen kaldırılabilmesine olanak tanır. (Bkz. Şekil 6a)
6. Suyu dökmek için düz tutmaya dikkat ederek hazneyi yavaşça yukarı kaldırın. Tertibatı lavabo içine oturtun.
7. Sol hazne kilitleme tırnaklarını 90° çevirerek açtıktan sonra Nozülü kaldırarak çıkartın. (Bkz. Şekil 4)

8. Sıvının hazneden boşalabilmesi için dönüştürücüyü dışarı çıkartın ve gösterildiği gibi dikkatlice yatırın. (Bkz. Şekil 8)
9. Az miktarda sıvı bulaşık deterjanını hazneye doldurun ve verilen fırçayı kullanarak, haznenin tüm yüzeylerini yavaşça silin ve üstteki oluklu yüzey içinde yer alan metal diskler dahil olmak üzere dönüştürücüyü yavaşça silin. (Bkz. Şekil 9)
10. Temizlendiğinde, sıvı bulaşık deterjanının tüm kalınlarını gidermek için hazneyi iyice durulayın.
11. Hazne kapağının çıkış yüzeyini fırça ile temizleyin ve suyla iyice yıkayın. (Bkz. Şekil 10)
12. Monte etmek için yukarıdaki adımları tersten takip edin.

Hava filtresi.

1. 'A' Anahtarını bastırarak 'OFF' (Kapalı) (0) konumuna alın (Bkz. Şekil 2)
2. Yakıt tabakasını yavaşça kaldırın ve dikkatlice zemin üzerine koyun. (Bkz. Şekil 3)
3. Hava filtresini plastik tutucusundan yavaşça yukarı doğru kaydırarak çıkartın. (Bkz. Şekil 11)
4. Lavaboda suyla nazikçe yıkayın ve takmadan önce bez havluyla kurulayın.
5. Kaba siyah filtrenin şöminenin ön tarafına bakmasına dikkat ederek filtreyi yerine takın.
6. Yakıt tabakasını yerine takın.
7. 'A' Anahtarını bastırarak 'ON' (Açık) (I) konumuna alın (Bkz. Şekil 2)

Uzaktan Kumanda Kullanımı

Kumanda panelinde, uzaktan kumandanın kullanılabilmesi için A anahtarının (bkz. Şekil 2) 'ON' (Açık) (I) konumunda bulunması gerekir. Uzaktan kumanda üzerinde üç düğme bulunur. (Bkz. Şekil 7) Doğru kullanmak için uzaktan kumanda izgaranın ön tarafına doğru tutulmalıdır. (Bkz. Şekil 12). Uzaktan kumanda fonksiyonları şu şekildedir:



Sadece Alev etkisini açmak için bir defa basın.
Bu durum bir bip sesi ile bildirilir.



Yarım Isı ve Alev Etkisini açmak için bir defa basın.
Bu durum iki bip sesi ile bildirilir.
Tam Isıyı ve Alev Etkisini açmak için tekrar basın.
Bu durum üç bip sesi ile bildirilir.



Bekleme
Bu durum bir bip sesi ile bildirilir.

Geri Dönüşüm.



Avrupa Topluluğunda satılan elektrikli ürünler için. Elektrikli cihazların, kullanım ömürlerinin sonunda evsel atıklarla birlikte atılmamaları gerekir. Tesis bulunuyorsa geri dönüşüme götürün. Ülkenizde geri dönüşümle ilgili tavsiye için satıcınız veya yerel yetkili kuruluşla görüşün.

Satış Sonrası Hizmet.

Ürününüz satın alma tarihinden itibaren bir yıl süreyle garantilidir. Bu süre içinde, bu talimatlara uygun şekilde monte edilmesi ve kullanılması durumunda bu ürünü ücretsiz bir şekilde tamir ederiz veya değiştiririz (lambalar hariçtir ve mevcut olma durumuna bağlıdır). Bu garanti kapsamındaki haklarınız, yasal haklarınıza ilave haklardır ve yasal haklarınız bu garantiden etkilenmeyecektir. Bu ürünle ilgili satış sonrası bilgi veya yardım talebinde bulunmanız halinde www.dimplex.co.uk adresine giderek "Satış Sonrası"na tıklayıp yardım kılavuzumuza erişin veya 0845 600 5111 (UK) veya 01 842 4833 (R. O. I.) nolu telefonlardan yardım hattımızı arayın. Yedek parçalara da internet sitesi yoluyla erişilebilir. Lütfen faturanızı ürünün size ait olduğunun kanıtı olarak saklayın.

Patent / Patent Başvurusu

Optimyst grubundaki ürünler aşağıdaki bir veya daha fazla sayıdaki patent ve patent başvuruları ile koruma altındadır:

İngiltere GB 2402206, GB 2460259, GB 2460453 , GB 2418014, GB 2465738, GB 2449925, GB 2465537 , GB 2455277 , GB1020534.2, GB1020537.5, GB1110987.3

Amerika Birleşik Devletleri US 7967690, US 2010299980, US 2011062250, US 2008028648, US 13/167,042

Rusya RU2008140317

Avrupa Birliği EP 2029941, EP 2201301, EP 2315976, EP 1787063, EP07723217.1 , EP11170434.2, EP 11170435.9

Çin CN 101883953, CN 200980128666.2, CN 101057105, CN 101438104

Avustralya AU 2009248743, AU 2007224634

Kanada CA 2725214, CA 2579444, CA 2645939

Uluslararası Patent Başvurusu WO 2006027272

Güney Afrika ZA 200808702

Meksika MX 2008011712

Kore KR 20080113235

Japonya JP 2009529649

Brezilya BR P10708894-9

Hindistan IN 4122/KOLNP/2008

Yeni Zelanda NZ 571900

| Sorun giderme | | |
|---|--|--|
| Belirti | Sebeup | Düzeltilici İşlem |
| Alev etkisi başlamıyor. | Elektrik fişli takılı değil. Düşük su seviyesi. Düşük voltaj konnektörü uygun şekilde bağlanmamış. (Bkz. Şekil 6) Dönüştürücü Ünitesi hazneye doğru oturmuyor. | Fişin prize doğru şekilde takılı olup olmadığını kontrol edin. Su deposunun dolu olduğunu ve haznenin içinde su bulunduğunu kontrol edin. Konnektörün doğru takılıp takılmadığını kontrol edin. (Bkz. Şekil 6) Dönüştürücünün hazne içindeki kalıplı oyuk içinde olduğundan emin olun |
| Alev etkisi çok zayıf. | Alev etkisi kumanda düğmesi çok düşük ayarlanmış. (Bkz. Şekil 2) Dönüştürücüdeki Metal Disk kirlenmiş olabilir (Bkz. Şekil 12) Dönüştürücü Ünitesinden gelen tel metal disk üzerinde duruyor | Alev seviyesini, Kumanda düğmesini 'D' yavaşça saatin ters yönünde çevirerek arttırın. (Bkz. Şekil 2) Metal Diski verilen yumuşak fırça ile temizleyin. (Bkz. Şekil 12) Adımlarla ilerleyen işlem için 'Bakım' bölümüne bakın. Teli haznenin arkasından geçirin ve hazneden çıkarken yan girinti içinde bulunmasına dikkat edin. |
| Ünite kullanılırken kötü bir koku geliyor. | Kirli veya eskimiş su. Filtrelenmemiş musluk suyu kullanımı. | Bakım bölümünde anlatıldığı gibi üniteyi temizleyin. Sadece filtrelenmiş musluk suyu kullanın. |
| Alev etkisi çok fazla dumana sahip. | Alev etkisi ayarı çok yüksek. | Alev etkisi Kumanda düğmesini C saat yönünde bir defa da yaklaşık ¼ tur çevirin. Alev üreticinin yeni ayara uyum sağlaması için biraz bekleyin. (Bkz. Şekil 2) |
| Ana lambalar çalışmıyor ve alev veya duman yok. | Su deposunda su yok. | Şu bölümlerin içindeki talimatlara uyun: Bakım , 'Su deposunun doldurulması'. Elektrik fişinin duvar prizine doğru şekilde takılı olduğundan ve 'A' Anahtarının Şekil 2 'ON' (Açık) (I) konumunda olduğundan emin olun. |

Встраиваемые камины Dimplex Opti-myst

Модель: DNV20AB, DNV20BR, DNV20BL, DNV20CH

RU

ВАЖНО! ВНИМАТЕЛЬНО ПРОЧИТАЙТЕ ЭТИ ИНСТРУКЦИИ И СОХРАНИТЕ ИХ ДЛЯ БУДУЩЕГО ИСПОЛЬЗОВАНИЯ

Важная информация по технике безопасности.

Для снижения риска воспламенения, поражения электрическим током и получения травм при использовании электроприборов необходимо соблюдать основные меры безопасности, в том числе: Если прибор поврежден, перед его установкой и эксплуатацией обратитесь к поставщику.

Не используйте прибор на открытом воздухе.

Не используйте прибор в непосредственной близости от ванной комнаты, душа или бассейна.

Не располагайте прибор непосредственно под штепсельной розеткой или соединительной коробкой.

Данный прибор не предназначен для использования детьми или другими лицами без посторонней помощи или контроля, если их физические, сенсорные или умственные способности препятствуют безопасной эксплуатации прибора. Внимательно следите за тем, чтобы дети не играли с прибором.

Не используйте данный обогреватель в сочетании с терморегулятором, программным контроллером, таймером или любым другим устройством, которое осуществляет автоматическое переключение в режим нагрева, поскольку случайное закрытие или смещение обогревателя может стать причиной пожара.

Убедитесь в том, что на расстоянии 1 м от обогревателя отсутствует мебель, шторы или другие воспламеняющиеся предметы.

В случае сбоя выньте вилку обогревателя из розетки.

Отсоединяйте прибор от розетки, если он не используется в течение длительного времени.

Хотя прибор соответствует нормам безопасности, мы не рекомендуем устанавливать его на ковровых покрытиях с длинным ворсом.

Прибор следует располагать так, чтобы имелся доступ к его вилке.

Если шнур питания поврежден, то во избежание возникновения опасных ситуаций его замена должна производиться изготовителем, агентом по сервисному обслуживанию или аналогичным квалифицированным специалистом.

Следите за тем, чтобы шнур питания не оказался в зоне перед обогревателем.

ВНИМАНИЕ! Не накрывайте обогреватель во избежание перегрева. Не кладите на обогреватель ткань или одежду и не создавайте препятствия для циркуляции воздуха вокруг обогревателя.

На нагревателе имеется предупреждающая надпись «НЕ НАКРЫВАТЬ».

Общая информация

Аккуратно распакуйте прибор и сохраните упаковку для дальнейшего использования на случай транспортировки или возврата камина поставщику.

В камине предусмотрен эффект живого пламени, который можно использовать как в сочетании с функцией нагрева, так и без нее, что обеспечивает создание уютной обстановки в любое время года. При включении только эффекта пламени прибор потребляет небольшое количество электроэнергии.

Обогреватель встраивается в нишу шириной 407 мм (16") или 457 мм (18") и высотой 559 мм (22") или устанавливается в качестве отдельно стоящего прибора; см. также раздел «Указания по установке».

Установленный под крышкой камина незаметный вентиляционный обогреватель мощностью 2 кВт обеспечивает обогрев в холодную погоду. Можно включить обогрев на половину или на полную мощность. Расстояние от передней части обогревателя до окружающей мебели, штор и других предметов должно составлять не менее 1 м (39").

Рекомендуется плотно перекрыть дымоход, чтобы снизить потери тепла и воспрепятствовать нарушению работы встраиваемого камина в результате воздействия восходящей тяги.

Перед подключением обогревателя убедитесь в том, что напряжение питания соответствует значению, указанному на обогревателе.

Обратите внимание! Если прибор используется в помещении с низким уровнем фонового шума, то можно услышать звук, создаваемый эффектом пламени. Это нормальное явление, которое не должно служить причиной для беспокойства.

Электрическое подключение.

ВНИМАНИЕ! ДАННЫЙ ПРИБОР ТРЕБУЕТ ЗАЗЕМЛЕНИЯ.

Прибор следует подключать только к источнику питания переменного тока; напряжение должно соответствовать указанному на приборе. Перед включением прибора ознакомьтесь с указаниями по безопасности и инструкцией по эксплуатации.

СОХРАНИТЕ ДАННОЕ РУКОВОДСТВО ДЛЯ БУДУЩЕГО ИСПОЛЬЗОВАНИЯ

Используйте для этого прибора только фильтрованную воду из-под крана.

Прибор следует устанавливать только на ровной поверхности.

Если прибор не будет использоваться в течение более 2 недель, слейте воду из поддона и бака и протрите поддон.

После установки нельзя перемещать и опрокидывать прибор, не слив предварительно воду из поддона и бака.

Бак для воды, поддон, крышку поддона, пробку бака и воздушные фильтры следует очищать каждые две недели, особенно в регионах с жесткой водой.

Нельзя использовать прибор, если лампы не работают.

Лампы следует регулярно проверять, как описано в главах «Техобслуживание» и «Замена ламп».

Указания по установке

Перед установкой прибора в существующем дымоходе рекомендуется следующее.

1. Прочистить дымовую трубу, обратившись в профессиональную службу.
2. Закрыть дымоход.

Данная процедура важна для эффективной работы нагревательного элемента и уменьшит теплопотери через дымоход.

Установка

**Убедитесь, что весь упаковочный материал снят (внимательно читайте предупреждающие надписи).
Сохраните всю упаковку на случай последующей транспортировки или возврата прибора поставщику.**

Установка прибора

1. Очистите место, где будет установлен камин (например, уберите остатки золы из имеющегося камина).
2. Выровняйте камин по горизонтали, используя две регулируемые опоры в задней части прибора.
3. Убедитесь, что прибор **ВЫКЛЮЧЕН**.
4. Держите камин по бокам и осторожно установите в нужное положение. Подключите камин к розетке 13 А/240 В. Убедитесь, что кабель питания не зажат под камином, что может привести к его повреждению.


Перед использованием элементов ручного управления заполните бак водой (см. «Техобслуживание», «Заполнение бака для воды»).


Элементы ручного управления


Элементы ручного управления прибора Opti-myst находятся под откидной крышкой. Поднимите крышку, чтобы получить доступ к элементам управления. (Схему элементов ручного управления см. на рис. 2.)


Переключатель «А» управляет подачей питания к камину.

Примечание. Данный переключатель должен находиться в положении «ON» (I) для работы камина в режиме нагрева или без него.

Переключатель «В»: нажмите  один раз для включения эффекта пламени. Операция подтверждается звуковым сигналом. Хотя основные индикаторы загораются сразу же, для включения эффекта пламени требуется еще около 30 секунд.

Нажмите  еще раз для включения эффекта пламени и обогрева на половинной мощности. Операция подтверждается двумя звуковыми сигналами.

Нажмите  еще раз для включения эффекта пламени и обогрева на полной мощности. Операция подтверждается тремя звуковыми сигналами.

Нажмите  еще раз, чтобы оставить только эффект пламени. Операция подтверждается одиночным звуковым сигналом.

Нажмите , чтобы перевести камин в режим ожидания. Операция подтверждается одиночным звуковым сигналом.

Регулятор «С» управляет настройкой термостата.

При вращении регулятора против часовой стрелки температура уменьшается, а при вращении по часовой стрелке температура увеличивается.

Регулятор «D» управляет интенсивностью эффекта пламени.

При вращении регулятора против часовой стрелки интенсивность пламени увеличивается, а при вращении по часовой стрелке уменьшается.

Когда вода в баке и поддоне заканчивается, основные индикаторы выключаются. Следуйте указаниям в главе «Техобслуживание», «Заполнение бака для воды». После завершения операции основные индикаторы загораются, однако для возобновления эффекта пламени требуется ещё 30 секунд.

Настройка термостата

Подключите камин к розетке и установите обогрев на полную мощность. Чтобы быстро нагреть помещение, поверните регулятор «С» по часовой стрелке до упора (максимальная температура). Когда в помещении установится комфортная температура, медленно вращайте регулятор термостата назад до щелчка, свидетельствующего об отключении термостата. Обогреватель будет поддерживать температуру на выбранном уровне.

Примечание. Если при установке минимальной настройки обогреватель не включается, то, возможно, это обусловлено тем, что температура в помещении выше, чем температура, заданная термостатом.

Тепловые плавкие предохранители

Встроенный в обогреватель термopредохранитель предотвращает повреждение прибора вследствие перегрева. Это может произойти при ограничении отвода тепла или засорённости дымохода. Если сработал предохранитель, отсоедините прибор от розетки и включите снова примерно через 10 минут. Перед повторным включением прибора устраните все препятствия для отвода тепла, затем установите обычный режим работы.

Осторожно! Во избежание повреждения, вызванного случайным отключением теплового выключателя, этот прибор не должен получать питание через внешнее переключающее устройство (например, таймер) и подключаться к сети, которая запрограммирована на регулярное включение и отключение.

Советы по использованию прибора

1. При минимальной настройке пламени прибор использует примерно 40 мл воды на каждый час и работает в 3 раза дольше, чем при максимальном пламени.
2. Нельзя наклонять и двигать камин, когда в баке или поддоне есть вода.
3. Камин следует устанавливать только на ровном полу.
4. Регулятор пламени «D» (рис. 2) можно вращать вверх или вниз для достижения максимально реалистичного эффекта.
5. Иногда пламя кажется более реалистичным, если регулятор пламени установлен в минимальное положение.
6. Генератору пламени требуется некоторое время для реакции на изменения положения регулятора пламени.

Техобслуживание

ВНИМАНИЕ! ПЕРЕД ВЫПОЛНЕНИЕМ ТЕХОБСЛУЖИВАНИЯ ВСЕГДА ОТКЛЮЧАЙТЕ ПРИБОР ОТ ИСТОЧНИКА ПИТАНИЯ

Замена ламп

Если дым приобретает серый цвет или становится бесцветным, причиной этому может быть отказ одной или нескольких ламп. Неисправности ламп можно выявить следующим образом.

1. Не выключая эффект пламени, поднимите топочную корзину и бак для воды. (см. рис. 3)
2. Теперь вы можете видеть лампы с установленной насадкой (см. рис. 4) и определить те, которые нуждаются в замене.
3. Переведите выключатель «А» в положение «ВЫКЛ» и отсоедините камин от сети.
4. Перед извлечением ламп дайте им остыть, оставив прибор на 20 минут.
5. Снимите поддон, как описано в разделе «Чистка».
6. Извлеките неисправную лампу, осторожно подняв ее вертикально и отсоединив штырьки от патрона (см. рис. 4 и 4а). Замените на цветную лампу Dimplex Opti-myst, 12 В, 50 Вт, с цоколем G5.3 и углом расхождения светового пучка 8°.
(Лампы можно приобрести на сайте www.dimplex.co.uk в разделе «Послепродажное обслуживание»; порядок приобретения ламп описан на сайте.)
7. Осторожно вставьте два штырька новой лампы в два отверстия в патроне. Вдавите лампу для плотной посадки (см. рис. 4 и 4а).
8. Снова установите поддон, насадку, бак для воды и топочную корзину.
9. Включите прибор.

Заполнение бака для воды

Когда бак для воды пуст, эффект пламени и дыма прекращается и раздаются 2 звуковых сигнала. Следуйте приведенным указаниям:

1. Переведите выключатель «А» в положение **(0)** (см. рис. 2)
2. Аккуратно снимите топочную корзину и отложите ее в сторону. (см. рис. 3)
3. Снимите бак для воды, приподняв и выдвинув его наружу.
4. Поставьте бак для воды в раковину и открутите пробку против часовой стрелки. (см. рис. 5)
5. Наполните бак. **Используйте только фильтрованную водопроводную воду.** Это продлит срок службы блока создания пламени и дыма.
Воду следует фильтровать обычным бытовым фильтром для воды; регулярно заменяйте фильтр.
6. Заверните пробку, **не допуская ее перетягивания.**
7. Установите бак на поддон так, чтобы пробка бака была обращена вниз, а плоская сторона бака – наружу.
8. Осторожно установите топочную корзину на место.
9. Переведите выключатель «А» в положение «ВКЛ» (**I**) (см. рис. 2).

Чистка

ВНИМАНИЕ! ПЕРЕД ЧИСТКОЙ ВСЕГДА ОТКЛЮЧАЙТЕ ОБОГРЕВАТЕЛЬ ОТ ИСТОЧНИКА ПИТАНИЯ.

Рекомендуем очищать следующие компоненты каждые 2 недели, особенно в регионах с жесткой водой:

Бак для воды, поддон, насадка, пробка и уплотнение бака, воздушный фильтр.

Общая чистка выполняется мягкой, чистой тряпкой – ни в коем случае не используйте абразивные чистящие средства.

Для удаления скопления пыли или пуха и очистки вытяжной воздухораспределительной решетки вентилятора прибора периодически используйте насадку пылесоса в форме мягкой щетки.

Бак для воды

1. Снимите бак для воды, как было описано ранее, поставьте его в раковину и слейте воду.
2. Прилагаемой щеткой аккуратно очистите внутренние поверхности пробки, уделяя особое внимание резиновому кольцу в наружной бороздке и центральному уплотнительному кольцу.
3. Капните немного жидкости для мытья посуды в бак, закройте пробку и хорошо встряхните, затем ополосните, удалив все остатки моющей жидкости.
4. Заливайте только фильтрованную воду и заверните пробку, не допуская ее перетягивания.

Поддон

1. Переведите выключатель «А» в положение «ВЫКЛ» (**0**) .
2. Аккуратно снимите топочную корзину и поставьте ее на пол. (см. рис. 3)
3. Снимите бак для воды, приподняв его вверх.
4. Отсоедините электрический разъём, расположенный с правой стороны поддона. (см. рис. 6)
5. Разомкните правые фиксаторы поддона, повернув их на 90°; после этого можно полностью снять поддон. (см. рис. 6а)
6. Осторожно приподнимите поддон, удерживая его горизонтально, чтобы не пролить воду. Поместите весь блок в раковину.
7. Разомкните левые фиксаторы поддона, повернув их на 90°, и снимите насадку. (см. рис. 4)

8. Снимите преобразователь и осторожно наклоните, как показано на иллюстрации, чтобы жидкость вытекла из поддона. (см. рис. 8)
9. Капните немного жидкости для мытья посуды в поддон и прилагаемой щеткой аккуратно очистите все поверхности, а также преобразователь, в т. ч. металлические диски на верхней стороне с канавкой. (см. рис. 9)
10. После чистки тщательно ополосните поддон чистой водой, чтобы смыть остатки моющей жидкости.
11. Очистите наружную поверхность крышки поддона щеткой и тщательно промойте водой. (см. рис. 10)
12. Сборка производится в обратном порядке.

Воздушный фильтр

1. Переведите выключатель «А» в положение «ВЫКЛ» (0) (см. рис. 2).
2. Аккуратно снимите топочную корзину и поставьте ее на пол. (см. рис. 3)
3. Осторожно отодвиньте воздушный фильтр вверх с пластикового держателя. (см. рис. 11)
4. Осторожно промойте водой в раковине и вытрите полотенцем.
5. Вставьте фильтр так, чтобы грубый фильтр черного цвета был обращен в сторону камина.
6. Установите топочную корзину на место.
7. Переведите выключатель «А» в положение «ВКЛ» (I) (см. рис. 2).

Использование пульта дистанционного управления

Для использования пульта дистанционного управления выключатель «А» (см. рис. 2) на панели управления должен быть в положении (I) «ВКЛ». На пульте ДУ имеются 3 кнопки. (см. рис. 7) Для правильной работы пульт ДУ следует направлять в сторону фасада каминной решетки. (см. рис. 12) Имеются следующие функции ДУ:



Нажмите один раз, чтобы включить только эффект пламени.
Операция подтверждается одиночным звуковым сигналом.



Нажмите один раз, чтобы включить обогрев на половинемощности и эффект пламени.
Операция подтверждается двумя звуковыми сигналами.
Нажмите еще раз для включения полного обогрева и эффекта пламени.
Операция подтверждается тремя звуковыми сигналами.



Режим ожидания
Операция подтверждается одиночным звуковым сигналом.

Утилизация



Для электроприборов, продаваемых в странах ЕС. По истечении срока эксплуатации электрические изделия не следует выбрасывать вместе с бытовыми отходами. Утилизация должна осуществляться в специально оборудованных местах. Для получения информации о правилах утилизации в своей стране обратитесь в местные органы власти или к розничному продавцу.

Послепродажное обслуживание

Гарантийный срок для данного прибора составляет один год, начиная со дня покупки. В течение этого времени мы обязуемся бесплатно выполнять ремонт или замену изделия (кроме ламп и с учетом наличия деталей и изделий) при условии, что установка и эксплуатация изделия выполнялась в соответствии с данными инструкциями. Ваши права по данной гарантии дополняют ваши законные права и не ущемляют их.

За дополнительной информацией о послепродажном обслуживании данной продукции обращайтесь на сайт www.dimplex.co.uk, где можно воспользоваться разделом самостоятельной помощи, перейдя по ссылке «Послепродажное обслуживание», или свяжитесь со службой технической поддержки по телефону 0845 600 5111 (Великобритания) или 01 842 4833 (Ирландия). Запасные части также можно заказать на веб-сайте. Сохраните чек, подтверждающий факт покупки прибора.

Патенты и заявки на получение патентов

Изделия Opti-myst защищены одним или сразу несколькими патентами либо заявками на получение патентов:

Великобритания: GB 2402206, GB 2460259, GB 2460453, GB 2418014, GB 2465738, GB 2449925, GB 2465537, GB 2455277, GB1020534.2, GB1020537.5, GB1110987.3

США: US 7967690, US 2010299980, US 2011062250, US 2008028648, US 13/167,042

Россия: RU 2008140317

Европа: EP 2029941, EP 2201301, EP 2315976, EP 1787063, EP 07723217.1, EP 11170434.2, EP 11170435.9

Китай: CN 101883953, CN 200980128666.2, CN 101057105, CN 101438104

Австралия: AU 2009248743, AU 2007224634

Канада: CA 2725214, CA 2579444, CA 2645939

Заявка на получение международного патента: WO 2006027272

Южная Африка: ZA 200808702

Мексика: MX 2008011712

Корея: KR 20080113235

Япония: JP 2009529649

Бразилия: BR P10708894-9

Индия: IN 4122/KOLNP/2008

Новая Зеландия: NZ 571900

| Устранение неисправностей | | |
|--|--|--|
| Признак | Причина | Способ устранения |
| Эффект пламени не включается. | <p>Вилка не вставлена в розетку.</p> <p>Низкий уровень воды.</p> <p>Неверное подключение низковольтного разъема. (см. рис. 6)</p> <p>Преобразователь неправильно вставлен в поддон.</p> | <p>Убедитесь, что вилка как следует вставлена в розетку.</p> <p>Проверьте, наполнен ли бак для воды, а также наличие воды в поддоне.</p> <p>Убедитесь, что разъем подсоединен правильно. (см. рис. 6)</p> <p>Убедитесь, что преобразователь установлен в литом углублении поддона.</p> |
| Эффект пламени слишком слабый. | <p>Регулятором выбран слишком слабый эффект пламени. (см. рис. 2)</p> <p>Возможно, загрязнен металлический диск преобразователя (см. рис. 12).</p> <p>Провод из преобразователя проходит над металлическим диском.</p> | <p>Увеличьте уровень пламени, медленно вращая регулятор «D» против часовой стрелки. (см. рис. 2)</p> <p>Очистите металлический диск прилагаемой мягкой щеткой. (см. рис. 12). См. пошаговую инструкцию в разделе «Техобслуживание».</p> <p>Направьте провод в заднюю часть поддона и вставьте его в боковое отверстие, ведущее из поддона.</p> |
| Неприятный запах при использовании прибора. | <p>Грязная или застоявшаяся вода.</p> <p>Использование нефilterованной воды.</p> | <p>Очистите прибор, как описано в разделе «Техобслуживание».</p> <p>Используйте только фильтрованную водопроводную воду.</p> |
| Эффект пламени дает слишком много дыма. | Установлен слишком сильный эффект пламени. | <p>Поворачивайте регулятор пламени «С» по часовой стрелке примерно на ¼ оборота за раз. Перед увеличением настройки следует выждать некоторое время, чтобы генератор пламени отреагировал на изменение. (см. рис. 2)</p> |
| Основные лампы не горят, нет пламени или дыма. | В баке нет воды | <p>Следуйте указаниям в главе «Техобслуживание», «Заполнение бака для воды».</p> <p>Убедитесь, что вилка правильно подсоединена к розетке, а выключатель «А» (рис. 2) находится в положении «ВКЛ» (I).</p> |

DE - Garantie

Die nachstehenden Ausführungen über Umfang der Garantie, Garantiefristen und die Anmeldung von Garantieansprüchen gelten ausschließlich für die Bundesrepublik Deutschland.

Wir räumen dem Käufer nach seiner Wahl zusätzlich zu den ihm gegen den Verkäufer ausstehenden gesetzlichen Gewährleistungsansprüchen einen Anspruch nach Maßgabe der nachfolgenden Garantieverpflichtung ein:

I. Dauer und Beginn der Garantie

1. Grundsätzlich wird für jedes im Haushalt eingesetzte Gerät die auf der Garantiekarte ausgezeichnete Garantiezeit gewährt.
2. Bei gewerblicher Nutzung der von der Bauart her für den Haushalt bestimmten Geräte beträgt die Garantiezeit lediglich sechs Monate.
3. Die Garantie ist mit dem Zeitpunkt der Übergabe des Gerätes wirksam.
4. Bewahren Sie die vom Verkäufer ausgefüllte Garantie-Urkunde mit der Rechnung, dem Lieferschein oder einem anderen Kaufnachweis auf.
5. Durch Garantieleistungen tritt keine Verlängerung der ursprünglichen Garantiezeit ein.
6. Garantieansprüche können nur geltend gemacht werden, wenn die Mängelrüge innerhalb von 14 Tagen nach Entdeckung des Mangels schriftlich bei uns eingeht.

II. Inhalt und Umfang der Garantie

1. Ihr Gerät wird sorgfältig geprüft. Für den Fall, daß der Garantieanspruch zu Recht besteht, entscheiden wir, auf welche Art der Schaden behoben werden soll / wird. Im Reparaturfall sorgen wir für eine fachgerechte Ausführung.
2. Bei der Einsendung zur Reparatur sind Garantie-Urkunde und Kaufnachweis beizufügen.
3. Innerhalb der ersten sechs Monate erbringen wir die Garantieleistungen ohne Berechnung von Nebenkosten (Fahrt- und Wegzeitkosten, Fracht- und Verpackungskosten).
4. Darüber hinausgehende Ansprüche, insbesondere Schadenersatzansprüche, sind ausgeschlossen, soweit eine Haftung nicht gesetzlich angeordnet ist.

III. Einschränkungen der Garantie

1. Eine Garantie besteht nicht bei Fehlern oder Mängeln, die auf folgendes zurückzuführen sind:
 - a) Reparaturen und Abänderungen, die von nicht autorisierter dritter Stelle vorgenommen werden oder wurden;
 - b) äußere Einwirkungen, zum Beispiel Transportschäden, Beschädigungen durch Stoß oder Schlag, Schäden durch Witterungseinflüsse oder sonstige Naturerscheinungen;
 - c) unsachgemäße / fehlerhafte Bedienung oder Beanspruchung;
 - d) Verwendung von ungeeigneten Reinigungsmitteln, Chemikalien usw.
2. Die Garantie erstreckt sich nicht auf leicht zerbrechliche Teile, zum Beispiel Glas, Kunststoff, Glühlampen.
3. Geringfügige Änderungen gegenüber Prospekten oder Mustern oder früher gelieferter Ware gelten nicht als Mangel. Gleiches gilt bei lediglich geringfügigen Abweichungen von der Sollbeschaffenheit, die für Wert- und Gebrauchstauglichkeit des Gerätes unerheblich ist.
4. Im Ausland gelten die von unserer jeweils zuständigen Landesvertretung herausgegebenen Garantiebedingungen.

DE - Garantie Für dieses Gerät gelten die in dem Kaufland herausgegebenen Garantiebedingungen. Einzelheiten teilt Ihnen der Händler, bei dem Sie das Gerät gekauft haben, auf Anfrage jederzeit mit. Die Inanspruchnahme von Garantieleistungen setzt die Vorlage des Kaufbeleges und die Einhaltung der Garantiefrist voraus. Der Garantieanspruch verfällt, wenn das Gerät beschädigt, nicht sachgemäß benutzt oder unbefugte Eingriffe vorgenommen wurden.

UK - Warranty The warranty conditions in the country of purchase apply to this appliance. Information can be obtained at any time from the retailer from whom the appliance was purchased. For claims under guarantee the sales receipt must be produced and the claims must be forwarded within the guarantee period. The right to claim under guarantee expires in case that the device has been damaged, used in an inappropriate way or that unauthorized manipulations have been carried out.

FR - Garantie Pour cet appareil, les garanties applicables sont celles en vigueur dans le pays où a lieu l'achat. Votre revendeur vous en communiquera à tout moment les détails sur simple demande. La revendication au droit à la garantie est assujettie au droit à la preuve d'achat et du respect du délai de garantie. Le droit à la garantie expire lorsque l'appareil a été endommagé, utilisé de manière inadéquate ou que des interventions ont été effectuées par des tiers.

IT - Garanzia Per questo apparecchio valgono le condizioni di garanzia pubblicate nel Paese d'acquisto. I dettagli a riguardo vengono forniti, in ogni momento, su richiesta, dal rivenditore presso il quale viene acquistato l'apparecchio. Il diritto alla prestazione di garanzia ha come premessa l'esibizione dello scontrino di acquisto e l'osservanza del termine di garanzia. Il diritto alla copertura di garanzia non sussiste, se l'apparecchio è stato danneggiato, se non è stato utilizzato a regola d'arte e se non stati effettuati su di esso interventi non autorizzati.

ES - Garantía Para este aparato tienen validez las condiciones de garantía entregadas en el país de compra. En caso de preguntas, el vendedor al que usted compró el aparato, estará en todo momento dispuesto a informarle sobre los detalles al respecto. La solicitud de prestaciones que estén incluidas en las disposiciones de garantía presupone, que usted presente el ticket de compra y que haga su solicitud en el plazo de garantía. Los derechos de garantía caducan, si el aparato se ha dañado, si se ha utilizado de manera inadecuada, o si en él se han efectuado intervenciones desautorizadas.

PT - Garantia As condições de garantia do país de compra aplicam-se a este aparelho. Pode obter informação em qualquer altura do retalhista de onde adquiriu o aparelho. Todas as reclamações ao abrigo da garantia terão de se fazer acompanhar do documento comprovativo da compra e de serem enviadas dentro do período da garantia. O direito de reclamação ao abrigo da garantia expira no caso do aparelho ter sido danificado, utilizado de forma incorrecta ou de se terem efectuado manipulações não autorizadas.

NL - Garantie Voor dit apparaat gelden de in het koopland uitgegeven garantievoorwaarden. Details deelt U Uw dealer, waar U het apparaat heeft gekocht, op aanvraag altijd mee. De gebruikmaking van garantievoorwaarden vereist het overleggen van het koopbewijs en de nakoming van de garantietermijn. De garantieclaim vervalt, wanneer het apparaat werd beschadigd, niet juist werd gebruikt of onbevoegde ingrepen werden uitgevoerd.

DK - Garantii Apparatet er omfattet af de garantibetingelser, som er gældende i købslandet. Nærmere detaljer kan fås hos den forhandler, hvor du har købt apparatet. Der kan kun stottes ret på garantien ved forelæggelse af købskvittering og kun inden for garantiperioden. Garantien bortfalder, hvis apparatet er blevet beskadiget, anvendt forkert eller i tilfælde af uautoriseret indgreb i apparatet.

SE - Garanti För denna apparat gäller de för inköpslandet utgivna garantibestämmelserna. På förfrågan kan detaljerna i garantibestämmelserna erhållas från inköpsstället där apparaten har köpts. Om garantin tas i anspråk måste inköpskvittot kunna uppvisas inom garantitiden. Alla garantianspråk

NO - Garanti For dette apparatet gjelder kun de betingelsene som er offentliggjort i forretningen det er kjøpt. Detaljer ang. dette kan man til enhver tid få hos den fagforhandleren hvor du har kjøpt apparatet. For å ha fulle garantirettigheter må man kunne fremlegge kvitteringen og garantifristen må ikke være utløpt. Garantien gjelder ikke når apparatet er skadet, ikke er brukt etter forskriftene eller ukvalifiserte innrep er foretatt.

FI - Takuu Laitteella on ostomaassa voimassa olevat takuuehdot. Yksityiskohdat näistä ehdoista ilmoittaa sinulle kauppias, jolta olet laitteen ostanut. Takuusuorituksia voi vaatia takuuaajan ollessa voimassa esittämällä ostodokumentin. Takuu ei ole voimassa, mikäli laitetta on käytetty sen ollessa vaurioitunut, sitä on käytetty väärin tai ammatitaidoton henkilö on korjannut laitetta.

PL - Gwarancja Dla tego urządzenia obowiązują warunki gwarancji wydane w kraju zakupu. W każdej chwili sprzedawca, u którego dokonano zakupu urządzenia, przekaże Państwu odpowiednią szczegółową Wykorzystanie świadczeń gwarancyjnych jest uwarunkowane przedłożeniem potwierdzenia zakupu i zachowaniem terminu gwarancji. Prawo do gwarancji przepada, gdy urządzenie zostanie uszkodzone, nieoprawnie używane lub dokonane zostaną niedozwolone manipulacje.

CZ - Záruka Pro tento přístroj jsou platné záruční podmínky, které byly vydány v zemi kupujícího. S podrobnostmi Vás kdykoliv na požádání seznámí Váš prodejce, u kterého jste přístroj zakoupili. Uznání záruky předpokládá předložení dokladu o koupi a dodržení záruční lhůty. Nárok na záruku propadá, je-li přístroj poškozený, neodborně provozovaný a nebo byly-li na něm provedeny neodborné zásahy.

LV - Garantija Ģai ierīci ir spēkā pirēja valstī izdotie garantijas noteikumi. Par to jūs sīkāk informācija saņemsiet veikālā, kurā jūs do ierīci nopirkāt. Garantijas pieteikšanai jums ir nepieciešama piršanas kvīts. Bez tam ir svarīgi, lai garantijas termiņā nebūtu notēcijas. Garantija netiek sniegta, ja jūs ierīci sabojājāt, ekspluatējāt neatbilstoši lietošanas instrukcijai, veicāt patvaļīgi demontāžu vai mēcinājāt padīt to remontēt.

SI - Garancija Za to napravvo veljajo garancijski pogoji izdani v državi nakupa. Na vašo željo vas bo o podrobnostih kadarkoli obvestil trgovec, pri katerem ste kupili napravo. Pogoj za uveljavljanje storitev določenih v garanciji je predložitev računa in upoštevanje garancijskega roka. Pravica do garancije zapade, če je naprava poškodovana, če naprava ni bila ustrezno uporabljena ali če so bili izvedeni nepooblaščen posegi v napravo.

SK - Záruka Pre tento prístroj platia záručné podmienky vydané v krajine jeho zakúpenia. S podrobnosťami Vás na požiadanie kedykoľvek zoznámí predajca, u ktorého ste prístroj zakúpili. Nárok na záručné služby predpokladá predloženie dokladu o kúpe a dodržanie záručnej lehoty. Nárok na záruku zaniká, ak bol prístroj poškodený, neodbornou používaním alebo na ňom boli urobené neoprávnené zásahy.

LT - Garantija Ėiam prietaisui galioja pirmko dalyje ideistos garantijos slygos. Jums pasiteiravus bet kurio metu pardavėjas, pas kurą Jus pirkote prietaisf, informuos apie smulkmenas. Garantijos vykdymo pasinaudojimo slyga yra kasos čekio pateikimas ir garantinio termino idlaikymas. Garantinis reikalavimas pasibaigia, jeigu prietaisas sugadintas, netinkamai buvo naudotas arba buvo atlikti neleistini askidimai.

EE - Garanti Seadme kohta kehtivad selle riigi garantitingimused, kus seade on ostetud. Seadme edasimüüja annab Teile põhjalikku informatsiooni garantii üksikasjade kohta. Garantiteenuste osutamise aluseks garantiaja jooksul on ostudokument. Garantii ei kehti, kui seade on kahjustunud, seda on kasutatud ebaoststarbiselisel või seadet on demonteeritud.

HU - Garancia A készülőre a vásárlási országban kiadott garanciális feltételek érvényesek. Ennek részleteiről kérésre szívesen nyújt információt az a kereskedő, akitől a készüléket vásárolta. A garanciális teljesítés igénybe vételének előfeltétele a vásárlási bizonylat bemutatása és a garanciális határidő betartása. A garanciális igény nem érvényes, ha a készülék sérült, nem szakszerűen használták vagy illetéktelen beavatkozásokot végeztek rajta.


HR - Jamstvo Uvjeti jamstva koji važe u državi kupnje važe i za ovaj uređaj. Podaci se mogu dobiti u svako doba od dobavljača od kojega ste kupili proizvod. Za zahtjeve po osnovi jamstva morate priložiti račun koji ste dobili pri kupnji, a zahtjev treba podnijeti u toku trajanja jamstvenog perioda. Pravo iz jamstva isticu u slučaju da je uređaj oštećen, korišten na neodgovarajući način ili su na njemu provedene neovlaštene popravke.

Гια την παρούσα συσκευή ισχύουν οι κανονισμοί εγγύησης του ισχύουν στην χώρα όπου αγοράστηκε. Λεπτομέρειες για σας παρέχει ο έμπορος από τον οποίο προμηθευτήκατε την συσκευή οποιαδήποτε στιγμή του το ζητήσετε. Απαραίτητες προϋποθέσεις για την διεκδίκηση παροχών που περιλαμβάνονται στην εγγύηση είναι η αποδείξη αγοράς και η τήρηση της προθεσμίας εγγύησης. Η εγγύηση εκπίπτει εφόσον η συσκευή υπέστη βλάβη, δεν χρησιμοποιήθηκε ορθά ή έλαβαν χώρα επεμβάσεις σε αυτή από μη εξουσιοδοτημένο προσωπικό.

За настоящия уред вадат гаранционните условия, валидни за страната, в която е купен. С подробностите ще Ви запознае продавачът, от който сте купили уреда и към който Вие можете да се обърнете по всяко време. За да се предоставят гаранционни услуги, е необходимо да се представи документът за закупуване и да не е изтекъл гаранционният срок. Гаранцията се губи, ако уредът е повреден, неправилно използван или с недопустими изменения.

В отношении этого прибора действительны условия гарантии, предоставленные в стране приобретения. Более подробную информацию по вашему запросу в любое время предоставит магазин, в котором вы приобрели прибор. Для гарантийного обслуживания необходимо в течение гарантийного срока предъявить квитанцию о покупке. Гарантия утрачивает силу, если прибор был поврежден, использовался ненадлежащим образом или был подвергнут недовольным вмешательствам.

Мынау аспапқа сатып алған мемлекетте шыққан гарантиялы шарттар жарамды. Аспапты сатып алған сатушыны сұратсаңыз, әрдайым нақтылықтарды айтып береді. Гарантиялы міндеттемені пайдалану үшін сатып алған қаспалық чекі болуы және гарантиялы мерзімін өткізіп алмауы керек. Аспап сынық, дұрыс пайдаланбаған немесе арнаулы емес талдаулар өткізілген болса гарантия правосы жарамсыз.

| | | | |
|---|--|--------------------|----------------------------|
| 1. Warranty Card  | 2. Guarantee Period (in Years) 1 | 3. Model(s) | 4. Date of Purchase |
| 5. Stamp & Signature of retailer | 6. Fault/Defect | | |
| 7. Contact Number & Address <div style="display: flex; justify-content: space-between;"> <div style="width: 24%;"> <p>DE</p> <p>Glen Dimplex Deutschland GmbH ewt-Kundendienst +49 (911) 1805 / 398 346 +49 (911) 1805 / 355 467 (14Ct./Min aus dem dt. Festnetz) Mobilfunkpreise koennen abweichen service@glendimplex.de</p> </div> <div style="width: 24%;"> <p>UK</p> <p>www.dimplex.co.uk +44 (0)845 600 5111 +44 (0)1489 773050 A division of the GDC Group Ltd.</p> </div> <div style="width: 24%;"> <p>NL</p> <p>Glen Dimplex Benelux B.V. – Netherlands Antennestraat 84 1322 AS Almere, Nederland E-mail: info@glendimplex.nl www.glendimplex.nl</p> </div> <div style="width: 24%;"> <p>IE</p> <p>Dimpco Ltd Airport Road Cloghran Co. Dublin Republic of Ireland 01 842839 01 842839</p> </div> </div> <div style="text-align: center; margin-top: 20px;"> <p>UA</p> <p>Контакты представительства Dimplex на территории Украины г. Киев, ул. Обсерваторная, 13/15 Тел. +38 (044) 221 - 17 - 37, +38 (050) 500 - 17 - 37, +38 (097) 500 - 17 - 37 www.dimplex-kaminy.com.ua shop@dimplex-kaminy.com.ua</p> </div> | | | |

UK

1. Warranty Card
2. Guarantee Period (in Years)
3. Model(s)
4. Date of Purchase
5. Stamp & Signature of retailer
6. Fault/Defect
7. Contact Number & Address

DE

1. Garantiekarte
2. Garantiezeitraum (in Jahre)
3. Modell(e)
4. Kaufdatum
5. Stempel & Unterschrift des Einzelhändlers
6. Fehler/Defekt
7. Kontakt-Tel.-Nr. & - Anschrift

FR

1. Bon de garantie
2. Période de garantie (en années)
3. Modèle(s)
4. Date d'achat
5. Cachet et signature du vendeur
6. Anomalie/Défaut
7. Nom et adresse du contact

IT

1. Scheda di garanzia
2. Periodo di garanzia (in anni)
3. Modello(i)
4. Data di acquisto
5. Timbro e firma del rivenditore
6. Guasto/difetto
7. Indirizzo e numero di contatto

ES

1. Tarjeta de garantía
2. Período de garantía (en años)
3. Modelo(s)
4. Fecha de adquisición
5. Sello y firma del distribuidor
6. Avería/Defecto
7. Número y dirección de contacto

PT

1. Cartão de Garantia
2. Período de Garantia (em anos)
3. Modelo(s)
4. Data de Compra
5. Carimbo e Assinatura do retalhista
6. Falha/Defeito

NL

1. Garantiebewijs
2. Garantieperiode (in jaren)
3. Model(len)
4. Aankoopdatum
5. Stempel & Ondertekening detaillist
6. Fout/Defect

DK

1. Garantikort
2. Garantiperiode (i år)
3. Model(ler)
4. Købsdato
5. Detailhandlers stempel & underskrift

SE

1. Garantikort
2. Garantitid (i år)
3. Modell(er)
4. Inköpsdag
5. Återförsäljarens stämpel och underskrift
6. Fel
7. Telefonnummer och adress för kontakt

NO

1. Garantikort
2. Garantiperiode (i år)
3. Modell(er)
4. Kjøpsdato
5. Selgers stempel og signatur

FI

1. Takuukortti
2. Takuuuika (vuosina)
3. Malli(t)
4. Ostopäivämäärä
5. Myyntiliikkeen leima ja allekirjoitus
6. Vika/vaurio
7. Yhteysnumero ja osoite

PL

1. Karta gwarancyjna
2. Okres gwarancji (w latach)
3. Model(e)
4. Data zakupu
5. Pieczęć i podpis sprzedawcy
6. Usterka
7. Telefon i adres kontaktowy

CZ

1. Záruční list
2. Záruční doba (roky)
3. Model(y)
4. Datum zakoupení
5. Razítko a podpis prodejce
6. Porucha/chyba
7. Kontaktní číslo a adresa

LV

1. Garantijas talons
2. Garantijas periods (gadi)
3. Modelis(li)
4. Legades datums
5. Mazumtirgotāja zīmogs un paraksts
6. Bojajums/defekts
7. Kontakttālrunis un adrese

SI

1. Garancijski list
2. Obdobje veljavnosti garancije (v letih)
3. Model(i)
4. Datum nakupa
5. Žig in podpis prodajalca
6. Pomanjkljivost/okvara
7. Kontaktna številka in naslov

SK

1. Záručný list
2. Záručné obdobie (v rokoch)
3. Model(y)
4. Dátum kúpy
5. Pecat & Podpis obchodníka
6. Porucha/závada
7. Kontaktné číslo & adresa

LT

1. Garantijos kortele
2. Garantijos laikotarpis (metais)
3. Modelis (modeliai)
4. Pirkimo data
5. Prekybininko antspaudas ir parašas
6. Gedimas / defektas
7. Numeris ir adresas kontaktams

EE

1. Garantikaart
2. Garantiaeg (aastates)
3. Mudel(id)
4. Ostukuupäev
5. Kaupluse tempel & allkirri
6. Viga/defekt
7. Kontaktnumber & aadress

HU

1. Garancialevél
2. Garancia idotartama (években)
3. Modell(ek)
4. Vásárlás időpontja
5. Eladó bélyegzője és aláírása
6. Hiba/Hiány megnevezése
7. Értéktési telefonszám és cím

HR

1. Jamstvena kartica
2. Jamstveni period (u godinama)
3. Model(i)
4. Datum kupnje
5. Pecat i potpis dobavljalca
6. Kvar/defekt
7. Broj i adresa za kontakt

GR

1. Κάρτα εγγύησης
2. Περίοδος ισχύος της εγγύησης (έτη)
3. Μοντέλο(α)
4. Ημερομηνία αγοράς
5. Σφραγίδα και υπογραφή εμπόρου
6. Σφάλμα/Ελάττωμα
7. Αριθμός τηλεφώνου και

BG

1. Гаранционна карта
2. Гаранционен период (в години)
3. Модел(и)
4. Дата на покупка
5. Печат и подпис на търговеца
6. Неизправност/Дефект
7. Адрес и телефон за контакт

RU

1. Гарантийная карта
2. Срок действия гарантии(в годах)
3. Модель (модели)
4. Дата покупки
5. Штамп и подпись ознiчного продавца
6. Неисправность/дефект
7. Номер контактного телефона и адрес

1. Кепілдік картасы
2. Кепілдік мерзімі
3. Үлгі(лер)
4. Сатылған күні
5. Сатушының мөрі мен қолтаңбасы
6. Кемістік/Ақаулық
7. Байланыс телефоны және мекен-жайы

Opti-myst is a trade mark of GDC Group Ltd.

[c] GDC Group Ltd,

All rights reserved. Material contained in this publication may not be reproduced in whole or in part, without prior permission in writing of Dimplex.

A division of GDC Group Ltd,